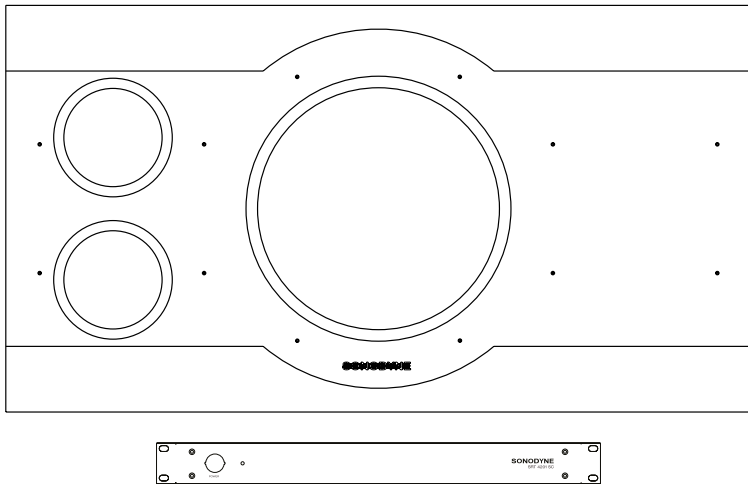


SRT 4201, SRT 4201 SC

passive subwoofer and controller | owners manual



INTRODUCTION

The SRT 4201 is a matching subwoofer for the SRT 4101, 4102 screen speakers. It is a shallow-profile passive subwoofer to be used in conjunction with its dedicated active controller, SRT 4201 SC. The SRT 4201 may be mounted either vertically or horizontally.

The SRT 4201 is a shallow-profile subwoofer employing a dual voice coil 15" driver mounted in a vented enclosure. Large twin ports with generous entry and exit flares ensure minimum wind noise and low power compression. The driver has a powerful motor system with a hefty magnet and a long voice coil to achieve a BL value of more than 30. This ensures linear and large cone excursion required to produce the extremely low frequencies. The low frequency response extends down to 30Hz, when paired with the dedicated controller. The subwoofer can handle 600W continuous power.

The controller for the sub has one balanced input and 4 outputs with individual balanced output converters, to drive a 4 channel amplifier driving 4 subs. It has a dedicated subsonic filter and a second-order low pass filter with cut-off frequency of 150Hz.

UNPACKING

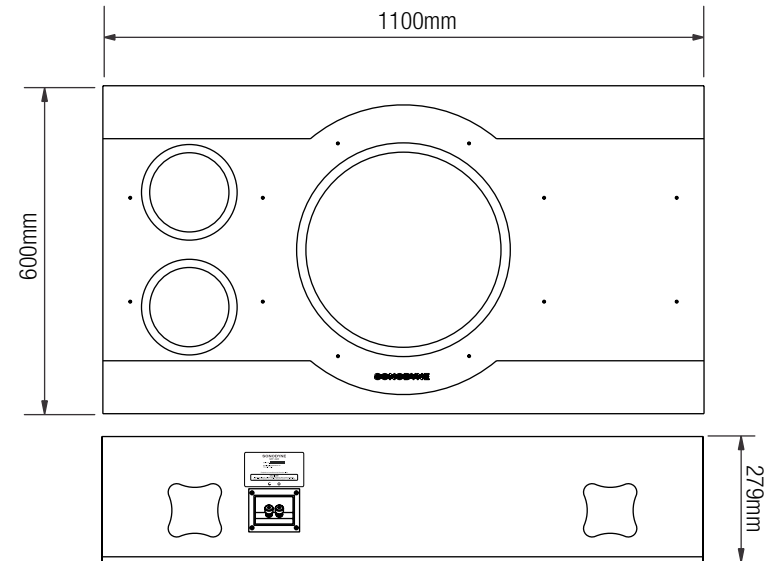
This is packed as follows:

- SRT 4201 - 1 x SRT 4201 subwoofer
- SRT 4201 SC - 1 x SRT 4201 SC controller
- 1 x power cord
- 1 x owner's manual

To unpack the subwoofer unit, place the unit vertically and cut open the straps which hold the top and bottom tray and the sleeve together. Lift the top tray. Next hold the sleeve with both hands, and slide it up. Inside you will find one SRT 4201 subwoofer speaker wrapped in a protective bag and resting on buffers to prevent damage to the speaker. Inspect the speaker for any sign of damage.

Please retain all packing materials in case you have to transport the unit in future.

The SRT 4201 can be mounted either horizontally or vertically. The dimensions are shown in the figure below, placed in vertical position.



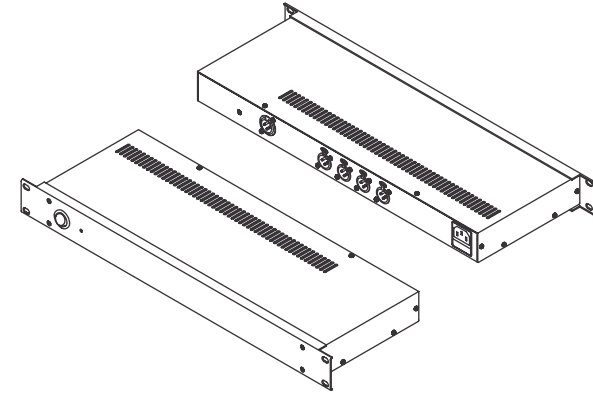
• SRT 4201 speaker connections •

The SRT 4201 subwoofer has a colour coded binding post on one of the longer faces. Connect the amplifier output to these binding posts.

For cable selection, use the following chart to arrive at the proper gauge of cable depending upon the length of the connection. A 6-core or 6 single-core cables are required.

Upto 5m	23/36 multi-strand copper wire (23 strands of 36 SWG wire), equivalent to 0.65 sq mm
5~10m	40/36 multi-strand copper wire (40 strands of 36 SWG wire), equivalent to 1.16 sq mm
10~20m	70/36 multi-strand copper wire (70 strands of 36 SWG wire), equivalent to 2.08 sq mm

• SRT 4201 SC controller •



DESCRIPTION

This is a dedicated controller for the SRT 4201 subwoofer.

It has one balanced input and 4 outputs with individual balanced output drivers. It can drive a 2 channel or 4 channel amplifier driving 2 or 4 subwoofers. It has a dedicated subsonic filter, a limiter and a second-order low pass filter with cut-off frequency of 150Hz.

UNPACKING

To unpack the unit, open the carton by cutting along the edge of the flaps. Push the flaps wide open. Inside you will find

- 1 x SRT 4201 SC controller wrapped in a protective bag and resting on buffers
- 1 x power cord with twist-lock power connector at one end and a 6Amp plug fitted at the other end
- 1 x Owner's manual

Carefully lift the unit from the EPE buffer. Inspect the unit for any sign of damage.

RACK MOUNTING

The SRT 4201 SC is a 1RU full-rack mounting design. Rack-mounting slots are provided on the front panel.



The lightning flash with an arrowhead symbol is intended to warn the user that there is un-insulated (dangerous) voltage inside the unit.

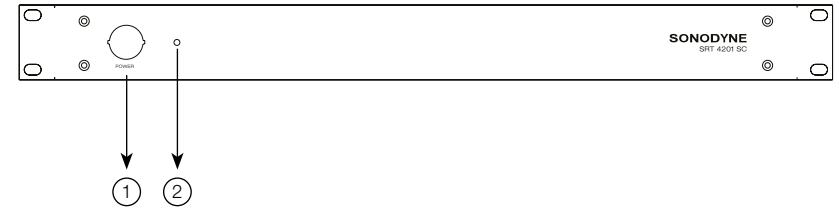


The exclamation mark within an equilateral triangle symbol is intended to alert the user of presence of important operating instructions in the owner's manual accompanying the product.

Important safety instructions

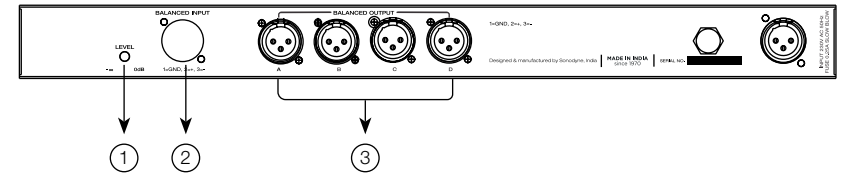
1. The unit should be connected only to a wall outlet providing the correct mains voltage and frequency as printed on the product.
2. Connect the unit to the mains only with the mains cable supplied with the unit.
3. Ensure that the wall outlet is properly earthed, that is, the earth must be connected to a earth bus-bar which connects to other audio equipments and is not shared by noisy equipments like computers, air-conditioners, lighting appliances etc. The earth connection must be checked and certified by a qualified electrical engineer.
4. Do not cover the unit which may cause it to heat up and malfunction.
5. Do not open the unit or attempt to service it yourself. There is no user-serviceable part inside. Refer servicing to qualified service personnel only.
6. Do not overload wall outlets that provide power to this unit.

FRONT PANEL



1. **POWER SWITCH:** This is a rocker type power switch that turns on power to the system. The ON position is indicated with a dot mark on the switch.
2. **POWER INDICATOR:** This is a blue indicator which lights up when power is switched on.

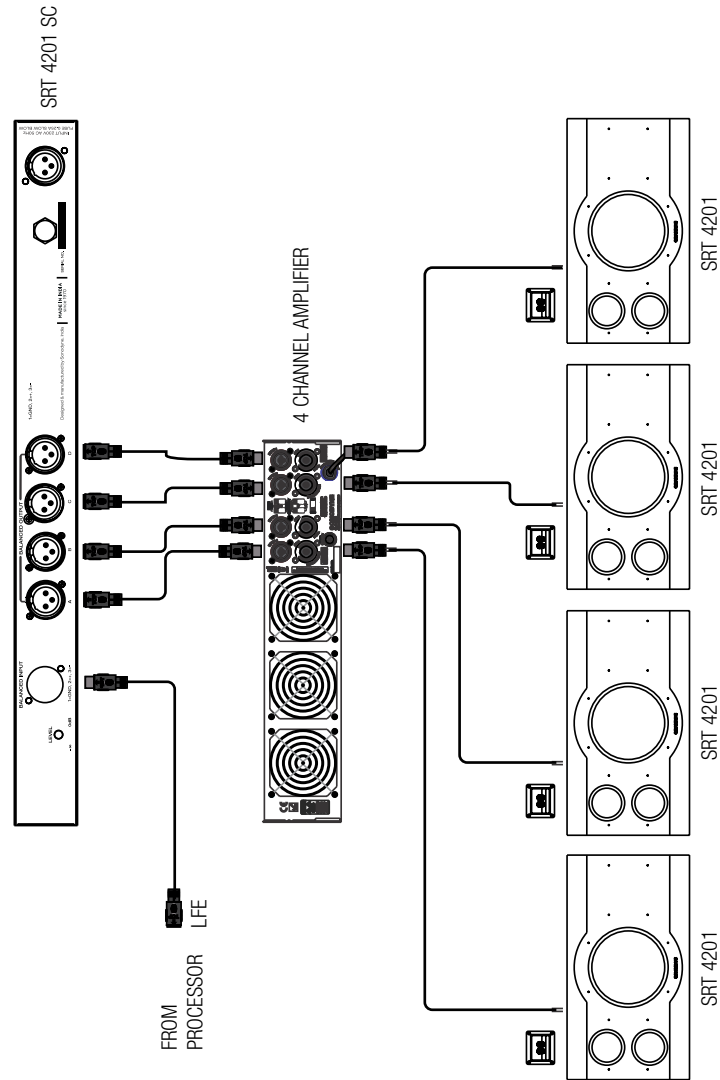
REAR PANEL



1. **GAIN CONTROL:** This controls the output level. The control has a range of -60dB to +6dB. When turned all the way down, it fully attenuates the sub output. At extreme (clockwise max) position, the gain is 6dB. The factory default setting is +6dB.
2. **INPUT:** This is a fully balanced input. Connect the sub output of your AV processor to this socket. Pin connections are: 1: ground 2: hot or positive 3: cold or negative
3. **OUTPUT:** There are 4 fully balanced outputs. These are not wired in parallel, but each is driven by its own balanced output driver. Connect these to the inputs of your amplifier. Pin connections are: 1: ground 2: hot or positive 3: cold or negative

• connections & operations •

Connection of 4 x SRT 4201 subwoofer and controller along with a 4 channel amplifier is shown in the connection diagram.



• connections & operations •

- Connect the SUB output of the AV processor to the input (XLR female connector) of the SRT 4201 SC controller using balanced cable which is a 2-core screened cable with XLR connectors on either end.

Pin connections are:

1: ground 2: hot or positive 3: cold or negative

Both single and double subwoofer configurations are shown above.

- Keep the sensitivity switch of the 4 channel amplifier on rear panel to 1V position, and level controls to full. This would help to achieve a proper balance between your LCR screen speakers and the sub, even without calibration of the system. If you are running the calibration on your processor or an external unit, this setting would give an optimum level to the calibration system to start with.
- Check that the utility outlet for powering the SRT 4201 SC controller is of matching voltage and frequency printed on the back panel. Also ensure that the earth is connected to the safety earth of the premises through a separate conductor so that it does not share the earth with noisy equipments such as air-conditioning, lighting equipment or computers.
- Connect the mains cable of the controller supplied with the unit, to the utility wall outlet after you have connected all other equipments. Switch on the AV receiver first. Switch on power to the amplifier last. That way, you will not hear any nasty turn-on thumps which may be damaging to your ears and equipment.
- A blue indicator on the front of the controller unit will light up. This indicates that your unit has powered up and is ready for operation.
- Run calibration, as required. If more gain on subwoofer is required, change the sensitivity switch setting on the amplifier to 0.775mV, which would add an extra +3dB gain. To decrease gain, you can either use the level control on the controller, or you can change the sensitivity switch setting on the amplifier to 1V setting.
- Play content

● specifications ●

SRT 4201	
DESCRIPTION	Shallow-profile passive subwoofer
TRANSDUCER COMPLEMENTS	15" dual voice coil subwoofer
ENCLOSURE TYPE	Vented, through twin aerodynamic port
ENCLOSURE MATERIAL	MDF
OVERALL FREQ. RESP. (-3dB)	30Hz ~ crossover frequency
USEABLE FREQ. RESP. (-10dB)	35Hz ~ crossover frequency
IMPEDANCE	8Ω
POWER	AES 600W PROGRAM 1200W PEAK 2400W
SPL	1W/1M HALF SPACE 97dB MAX CONTINUOUS 126dB MAX PEAK 129dB
INPUT CONNECTOR	Binding post (speaker)
DIMENSION HxWxD	600mm x 1100mm x 279mm
SHIPPING DIMENSION HxWxD	728mm x 1220mm x 404mm
NET WEIGHT	44.3kg
GROSS WEIGHT	51.8kg

SRT 4201 SC	
DESCRIPTION	Controller for SRT 4201
INPUT	Fully balanced through XLR socket
OUTPUT	4 x Fully balanced through XLR socket
VOLUME CONTROL	-∞ to +6dB
SUBSONIC FILTER	Custom
LOW PASS FILTER	150Hz, 12dB/octave
MAX. OUTPUT VOLTAGE	8V
S/N RATIO	100dB, referred to full output
THD+ NOISE	0.01% or less
SWITCHES & CONTROLS	Power switch on front, volume control at rear
INDICATOR	Power indicator on front
POWER REQUIREMENT	230V AC, ±10%, 50Hz
FINISH	Black painted
MOUNTING	1 RU rack-mounting
DIMENSIONS (HxWxD)	44mm x 482mm x 165mm
SHIPPING DIMENSION HxWxD	100mm x 505mm x 225mm
NET WEIGHT	2.3kg
GROSS WEIGHT	3.2kg

Due to continuous improvements, all specifications are subject to change

● warranty information ●

In substitution of any warranty or condition implied, this equipment is warranted against failure arising through faulty workmanship or material for a period of 24 calendar months from the date of purchase. During this period, subject to the conditions stated here, the manufacturer will replace or repair any defective part free of charge (including parts and labour). This warranty is only given with respect to faulty workmanship and/ or materials and does not cover misuse or consequential damage. Claims under the warranty will be considered only if the product is returned to an authorised SONODYNE Service Centre directly, or through an authorized reseller.

- This warranty is applicable only to the original purchaser when purchase is made directly from SONODYNE or from an authorized SONODYNE reseller. Any claim be accompanied by the original Tax / GST invoice.
- The warranty DOES NOT COVER:
 - a. Damage resulting from incorrect installation or use not in accordance with the operating instruction issued by the manufacturer.
 - b. Consequential damage.
- This warranty will be rendered invalid if any unauthorized alteration, modification or substitution is carried out or if the Serial No. is altered and/ or defaced.
- All equipment for servicing must be sent, carriage paid, to an authorized Service Centre, The Company will accept no responsibility for loss or damage in transit
- If the equipment or any part of it is returned for any cause not covered by the warranty, all costs involved, including charges for inspection and handling will have to be borne by the customer.
- No reseller has the authority to vary the terms of this warranty.

Register your product
to activate your warranty:
<https://sonodyne.com/registerproduct>




Upload a picture or video of your Sonodyne
product or write about your Sonodyne
experience.
<https://sonodyne.com/review>


If you have anything less than a 5 star experience,
please contact us at response@sonodyne.com
and we will make it right


SONODYNE[®]

SONODYNE, India • H.O.: 98 NB Block E New Alipore, Kolkata 700053

 sonodyneofficial

 +91 9830855260

 sonodyneofficial

 response@sonodyne.com

 www.sonodyne.com