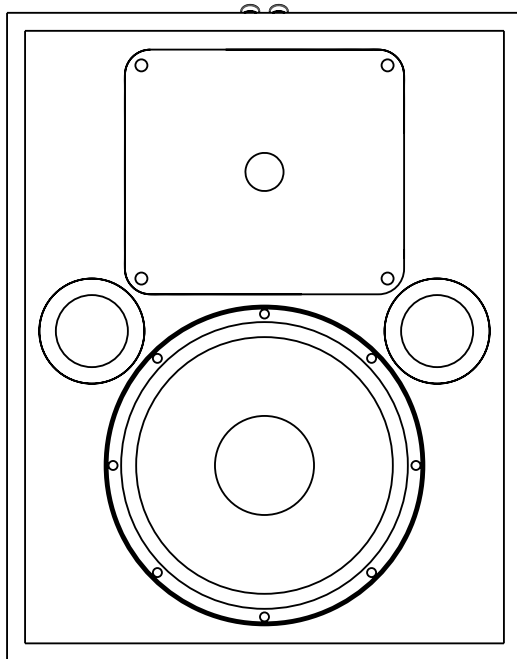


SRT 4301

2 way speaker | owners manual



INTRODUCTION

The SRT 4301 is a surround speaker for multi-channel home audio reproduction systems which can be mounted on wall or ceiling.

The speaker uses an 8" woofer and a 1" compression driver mounted in a specially-designed waveguide. The cabinet is made of MDF and internally braced. Finish is black PVC.

The SRT 4301 comes with wall mount bracket. The male part is fitted on the cabinet and the female part is packed in the box.

There is an optional wall mount bracket SRT 4301 WB with pan and tilt having adjustment range of $\pm 30^\circ$. The SRT 4301 has 4 inserts on the back for mounting the SRT 4301 WB. For mounting instructions, please see FIG. 3

UNPACKING, SRT 4301

The following are the contents of the box

1. 1 x SRT 4301 2 way speaker
2. 1 x wall-mounting bracket

To unpack the unit, place the unit vertically and cut open the straps which hold the top and bottom tray and the sleeve together. Lift the top tray. Next hold the sleeve with both hands, and slide it up. Inside you will find one SRT 4301 speaker wrapped in a protective bag and resting on buffers to prevent damage to the speaker. Inspect the speaker for any sign of damage.

Please retain all packing materials in case you have to transport the unit in future.

The SRT 4301 speakers are mounted using the supplied brackets and hardware. First, the position of wall-mount brackets are marked on the wall in the intended location, using the wall-mount template. Next the speaker with brackets is slid into the wall mount bracket. Please see FIG. 1 and FIG. 2

FIG 1

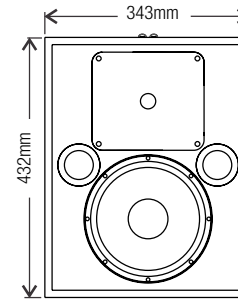
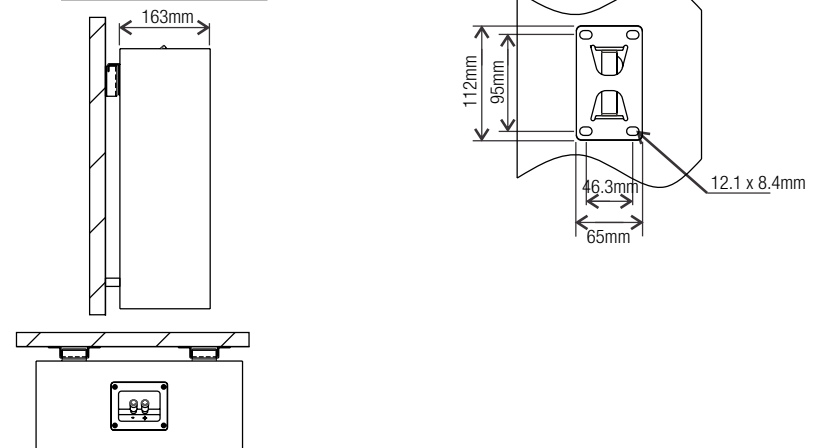
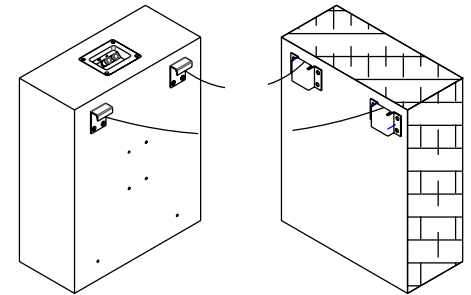
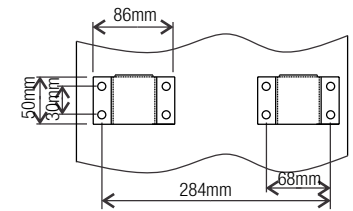


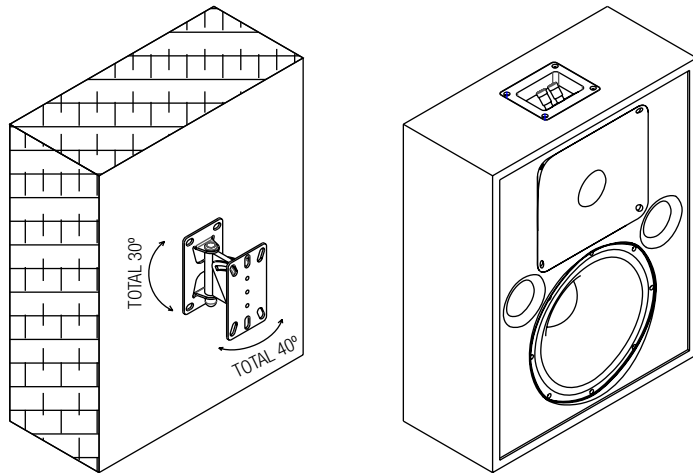
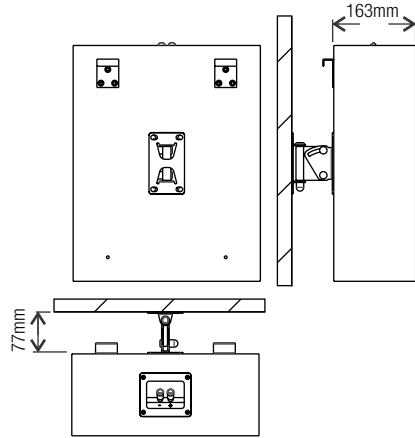
FIG 2



● mounting ●

If pan and tilt are required, the optional wall-mount bracket SRT 4301 WB may be used. Fit the SRT 4301 WB on the inserts at the back using the screws supplied, and then mount the bracket to the wall. Please see FIG. 3

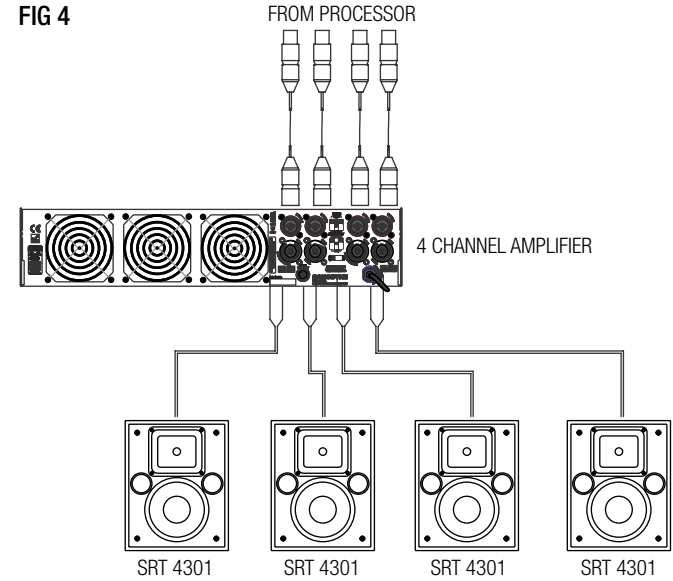
FIG 3



● connections ●

The SRT 4301 speaker has colour-coded gold-plated push type binding post on the top panel. Connect the speaker outputs of the amplifier to these terminals. Please see FIG. 4

FIG 4



For cable selection, use the following chart to arrive at the proper gauge of cable depending upon the length of the connection. A 6-core or 6 single-core cables are required

Upto 5m	23/36 multi-strand copper wire (23 strands of 36 SWG wire), equivalent to 0.65 sq mm
5~10m	40/36 multi-strand copper wire (40 strands of 36 SWG wire), equivalent to 1.16 sq mm
10~20m	70/36 multi-strand copper wire (70 strands of 36 SWG wire), equivalent to 2.08 sq mm

● specifications ●

DESCRIPTION	2 way passive speaker for surround application
TRANSDUCERS	HF - 1 x 1" throat compression driver, 1.35" VC LF - 1 x 8" woofer, 1.5" VC
CABINET TOPOLOGY	Vented, through front-firing aerodynamic port
CABINET MATERIAL	MDF
FORM FACTOR	Rectangular
IMPEDANCE	8Ω
POWER AES	150W
PROGRAM	300W
PEAK	600W
SPL 1W/1M	95dB
MAX continuous	116dB
MAX peak	119dB
ACOUSTIC FREQ. RANGE	60Hz ~ 18kHz (-10dB)
ACOUSTIC FREQ. RESPONSE	70Hz ~ 17kHz (-3dB)
DIRECTIVITY HxV	90° x 70°
SPEAKER CONNECTOR	Binding post
COLOUR	Black
MOUNTING	Included: On wall bracket for flat mount against wall Optional: SRT 4301 WB for swivel mount
DIMENSION HxWxD	432mm x 343mm x 165mm
SHIPPING DIMENSION HxWxD	515mm x 430mm x 290mm
NET WEIGHT	10.3kg
GROSS WEIGHT	13.3kg

Due to continuous improvements, all specifications are subject to change

● warranty information ●

In substitution of any warranty or condition implied, this equipment is warranted against failure arising through faulty workmanship or material for a period of 24 calendar months from the date of purchase. During this period, subject to the conditions stated here, the manufacturer will replace or repair any defective part free of charge (including parts and labour). This warranty is only given with respect to faulty workmanship and/ or materials and does not cover misuse or consequential damage. Claims under the warranty will be considered only if the product is returned to an authorised SONODYNE Service Centre directly, or through an authorized reseller.

- This warranty is applicable only to the original purchaser when purchase is made directly from SONODYNE or from an authorized SONODYNE reseller. Any claim be accompanied by the original Tax / GST invoice.
- The warranty DOES NOT COVER:
 - a. Damage resulting from incorrect installation or use not in accordance with the operating instruction issued by the manufacturer.
 - b. Consequential damage.
- This warranty will be rendered invalid if any unauthorized alteration, modification or substitution is carried out or if the Serial No. is altered and/ or defaced.
- All equipment for servicing must be sent, carriage paid, to an authorized Service Centre, The Company will accept no responsibility for loss or damage in transit
- If the equipment or any part of it is returned for any cause not covered by the warranty, all costs involved, including charges for inspection and handling will have to be borne by the customer.
- No reseller has the authority to vary the terms of this warranty.

Register your product
to activate your warranty:
<https://sonodyne.com/registerproduct>




Upload a picture or video of your Sonodyne
product or write about your Sonodyne
experience.
<https://sonodyne.com/review>


If you have anything less than a 5 star experience,
please contact us at response@sonodyne.com
and we will make it right

SONODYNE[®]

SONODYNE, India • H.O.: 98 NB Block E New Alipore, Kolkata 700053

 sonodyneofficial

 +91 9830855260

 sonodyneofficial

 response@sonodyne.com

 www.sonodyne.com