

# SONODYNE®

A LEGACY OF TRUE SOUND

## SAMĀ 5000

soundbar | owners manual



[www.sonodyne.com](http://www.sonodyne.com)

# ● important safety instructions ●

CAUTION: Read this before operating your unit.

1. **READ AND FOLLOW INSTRUCTIONS:** All the safety and operation instructions should be read before the product is operated. Follow all operation instructions within this manual.
2. **RETAIN INSTRUCTIONS:** The safety and operation instructions should be retained for future reference.
3. **HEED WARNINGS:** Comply with all warnings on the product and in the operation instructions.
4. **CLEANING:** Unplug this product from the wall outlet before cleaning. Do not use liquid cleaners or aerosol cleaners. Use a damp cloth for cleaning.
5. **OVERLOADING:** Do not overload wall outlets or extension cords as this can result in the risk of fire or electric shock. Overloaded AC outlets, extension cords, frayed power cables, damaged or cracked wire insulation, and broken plugs are dangerous. They may result in electric shock or fire hazard. Periodically examine the power cable - if its appearance indicates damage have it replaced by your service technician.
6. **POWER SOURCES:** This product should be operated only from AC230V 50Hz as printed on the rear panel
7. **MOUNTING:** Do not place this product on an unstable surface or support. The product may fall, causing serious injury to a child or adult as well as serious damage to the product.
8. **POWER-CORD PROTECTION:** The power supply cables should be routed so that they are not likely to be walked on or pinched by items placed upon or against them, paying particular attention to cables at plugs and the point where they exit from the product.
9. **ATTACHMENTS:** Do not use unauthorized attachments as they may cause faults with the unit.
10. **CONDITIONS REQUIRING SERVICE:** Unplug this product from the wall outlet and refer servicing to qualified service personnel under the following conditions:
  - a) If the unit exhibits sudden unusual operation or unusual display characteristics.
  - b) If liquid has been spilled, or objects have fallen into the product.
  - c) If the product has been exposed to rain or water.
  - d) If the product does not operate normally by following the operation instructions, adjusting only those controls that are covered by the operation instructions.
  - e) If the product has been dropped or damaged in any way.
  - f) If the product exhibits a distinct change in performance.
11. **SERVICING:** Do not attempt to service this product yourself as it may expose you to dangerous voltages or other hazards. Refer all servicing to qualified service personnel.
12. **LIGHTNING:** For added protection for this product during a thunderstorm, or when it is left unattended and unused for long period of time, unplug it from the wall outlet. This will prevent damage to the product due to lightning and power line surges.
13. **REPLACEMENT PARTS:** Should replacement parts be required, have the service technician verify that the replacement parts he uses have the same safety characteristics as the original parts. Use of unauthorized replacement parts can cause fire or electric shock.
14. **SAFETY CHECK:** Upon completion of any service or repairs to this product, ask the service technician to perform safety checks to determine that the product is in a safe operating condition.

# ● introduction ● unpacking ●

## INTRODUCTION

Thank you for purchasing the Sonodyne **SAMĀ 5000** Dolby Atmos® Soundbar system (soundbar and subwoofer). The Sonodyne **SAMĀ 5000** is designed to give you an immersive sound effect with Dolby Atmos movies, and also extraordinary performance with other audio and video content. Please take a few minutes to go through this manual, which describes the product and includes step-by-step instructions for setting up and getting started.

## UNPACKING

The product comes in an L-shaped carton containing the soundbar and the subwoofer. We recommend you do not discard the packing materials as they may come in handy if you have to transport the unit in future.

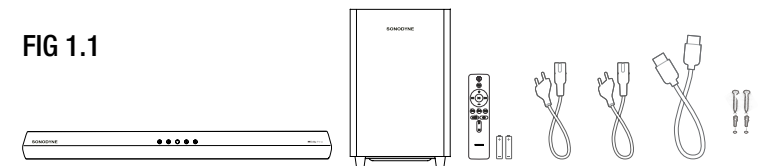
Open the L-shaped carton. Inside you will find the following

- Soundbar
- Subwoofer

Accessory box containing the following:

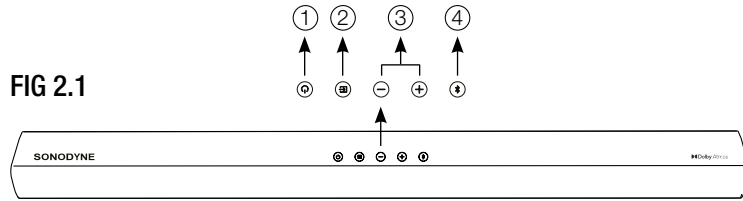
- Remote control, with 2 x AAA batteries
- Power cable for soundbar
- Power cable for subwoofer
- HDMI cable
- Wall-mounting accessories
- Owner's manual
- Wall-mounting template

FIG 1.1



# ● switches & indicators - top panel ●

FIG 2.1



There are 5 touch type buttons on the top of the soundbar. These are as follows:

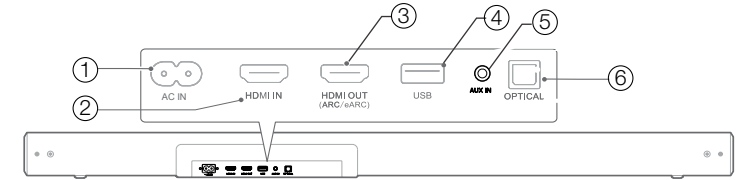
1. **POWER** – The first button on the left is power. Touch this button to switch on power. To switch off, press and hold for 4 seconds
2. **INPUT SELECTION** – This a toggle type touch button for input selection. The button toggles between HDMI, HDMI eARC, USB, Optical, Aux and BT inputs. The input selected is shown on the display on the front
3. **VOLUME – AND VOLUME + BUTTONS.** Touch these buttons to decrease or increase volume, respectively. Long press will activate continuous change of volume
4. **BT** – This a hotkey for BT input

## DISPLAY AND INDICATOR

1. There is a 5 digit display on the front. It shows a greeting message on boot-up, shows
  - input selected
  - volume status
  - mute status
  - type of mode selected – Movie, Music and Voice
  - It also displays Dolby Atmos when Dolby Atmos content is played by connecting to HDMI or HDMI eARC inputs
2. Standby indicator – After an interval of 15 minutes, if no input is detected, the soundbar will switch to standby mode. Under this condition, the display will turn off and a red indicator on front will light up. The blue LED on the subwoofer will also turn off.

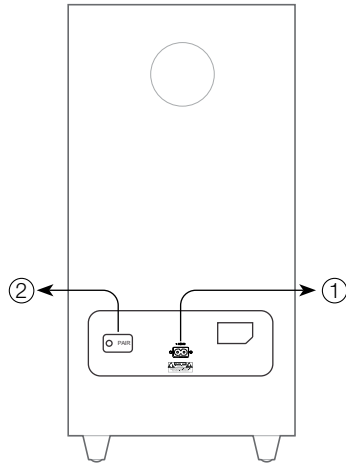
# ● switches & indicators - rear panel ●

FIG 2.2



1. **AC INPUT**- This is the power socket of your soundbar. Connect the 2 pin power cord supplied with the set, for applying power
2. **HDMI IN** – Connect the HDMI output of your digital device, to this socket
3. **HDMI OUT/eARC** – Connect this to the HDMI IN/eARC socket of your TV. For more details, please see under Connections
4. **USB** – You can connect your thumb-drive or a hard-disc player containing audio tracks to listen to the same
5. **AUX IN** – Connect the earphone out of your phones or any other audio device to this socket. This is an analog input. Use an input cable fitted with a 3.5mm stereo audio jack for connecting to this socket
6. **OPTICAL** – Connect a device having optical digital output, such as Blu-ray player, to this socket, using an optical cable. You can play PCM files through this socket

FIG 2.3



**SUBWOOFER REAR PANEL**

- 1. AC INPUT-** Connect the female end of the 2 pin power cord supplied with the set, to this socket, and the male end to a 230V AC outlet socket. Connect this power cord last
- 2. PAIRING SWITCH –** This is to pair your wireless subwoofer to the soundbar. For more details, please see under CONNECTIONS

**REMOTE CONTROL**

- 1. Power Button –** Press this button to switch on power to the soundbar. To switch off, press again
- 2. Mute –** Press this button to mute the audio of your soundbar. Press again to unmute
- 3. Volume Up And Down.** Press the + and – buttons to increase or decrease volume, respectively
- 4. Forward/Reverse or fast forward/rewind and Play/Pause.** Use these controls as required, when playing audio from your BT or USB device connected to the soundbar
- 5. Sound modes – Music/Movie/Voice.** Select the pre-defined equaliser settings for Music/Movie/Voice with these buttons
- 6. Vol\_Sel –** This selects whether you want to change the overall volume, or the subwoofer volume only. The display shows the mode selected
- 7. Input selection –** Press this button to select the input. Press repeatedly till you see the input you want to select
- 8. BT Input –** This is a hot-key for BT input
- 9. Dolby virtualiser -** Switch the virtual Dolby Atmos sound effects on or off with this button  
In movie mode, the default setting of the Virtualizer is on, and we recommend not to change it  
In music mode, the virtualiser, when on, will enable the center channel. If you wish to listen to 2 channel (stereo) please defeat the virtualizer

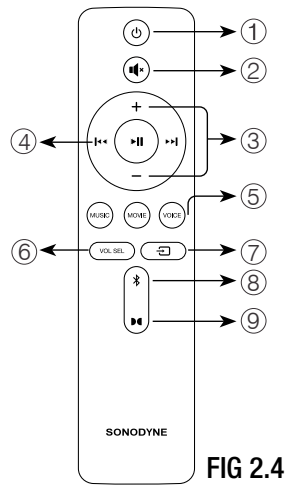
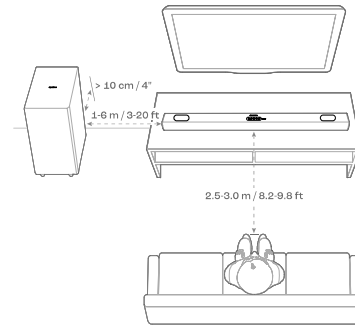


FIG 2.4

**MOVIE MODE -**  
Recommended for movies and TV shows  
**MUSIC MODE -**  
Recommended for stereo/multichannel music  
**VOICE MODE -**  
Recommended for news and to enhance dialogue

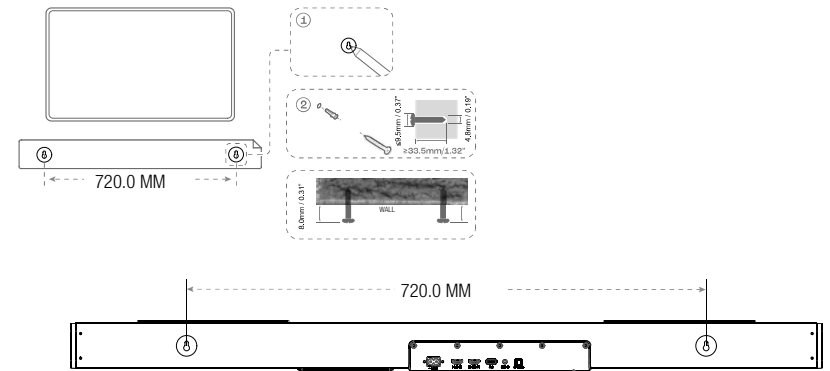
**ON A TABLE**  
FIG 3.1



Place the soundbar on a flat surface, e.g., on top of a TV cabinet, a rack, a table which is at least 1.5 meter or about 5ft long by 150 mm or 6 inches wide, to fully accommodate the soundbar. Avoid placing the soundbar on a small surface where the two ends are jutting out of the surface which may inadvertently cause it to be knocked out of position and fall.

To get the best listening experience, be seated in the center line of the soundbar/TV. For optimum viewing distance, you should be seated at a distance of about 1.6 times the diagonal length of the screen, for HD screens. Hence for a 50 inch TV, the optimal viewing distance is about 6.5 – 7 ft from the TV. Adjust seating height so that you can watch the TV comfortably without having to bend your neck. Keep the soundbar height just below the TV, so that it does not come in the way of viewing.

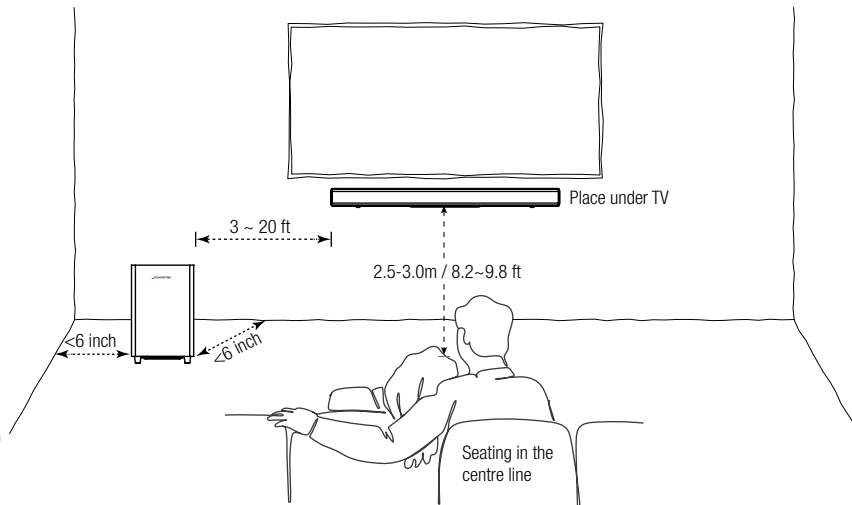
**ON A WALL**  
FIG 3.2



The soundbar comes fitted with brackets that can be mounted on a wall. Accessories for wall mount, consisting of wall-plugs, mounting screws, and wall-mounting template are included. To wall-mount, select the position where it is to be mounted, paste the wall-mount template on the wall so that it is horizontal, mark the position of the screws on the wall and remove the template. Drill holes on the wall, drive the wall-plugs in with a hammer and fix the mounting screws on the wall plugs with a screwdriver. Hang the soundbar on the mounting screws.

# ● placement of subwoofer ●

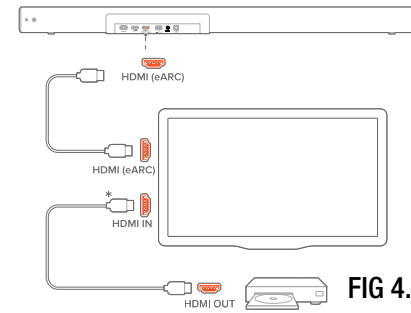
1. Place the subwoofer on the floor, near the soundbar. Keep the distance between the soundbar and the subwoofer, between 1m/ 3ft and 6m/20ft.
2. Do not place the subwoofer directly up against a wall. Keep at least 6 inch distance from any reflecting surface.



# ● connections ●

## HDMI INPUT THROUGH TV

The connection diagram is shown below

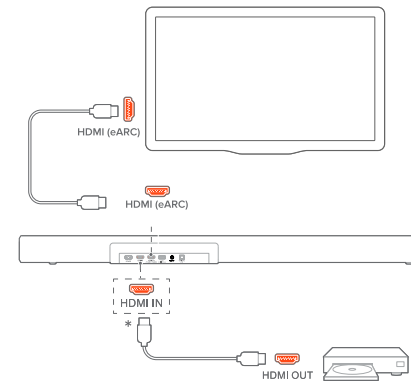


- Connect output of your digital devices such as Blu Ray player or OTT dongle to the HDMI input of your TV with HDMI cable (version 2.0 or higher)
- Connect the HDMI IN/eARC socket of your TV to HDMI OUT/eARC of your soundbar, using the supplied HDMI cable

FIG 4.1

## HDMI INPUT THROUGH SOUNDBAR

The connection diagram is shown below



- Connect output of your digital devices such as Blu Ray player / OTT dongle to the HDMI input of your soundbar with HDMI cable (version 2.0 or higher)
- Connect the HDMI OUT/eARC of your soundbar to HDMI IN/eARC socket of your TV using the supplied HDMI cable

FIG 4.2

You may connect other digital devices to the optical input of your soundbar using an optical cable as shown below

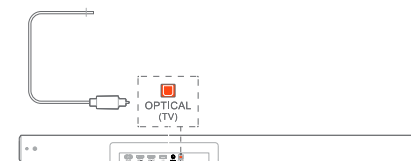


FIG 4.3

### POWER CONNECTION

- After you have made all input connections, proceed to supply power to the soundbar and subwoofer as follows

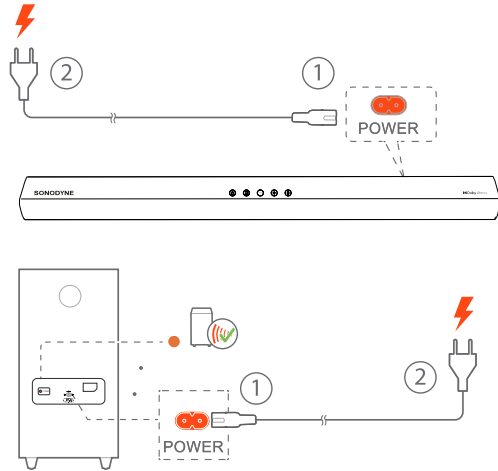


FIG 4.4

Connect the soundbar to a fused 230V mains outlet with one of the two power cables supplied with the unit. Connect the power cable to the soundbar first, and then plug it into the fused 230V mains outlet. If the outlet has a switch, switch it off first, plug in the cable and then switch it on.

Similarly, connect the subwoofer to mains outlet.

### INITIAL SET-UP

- When power is applied to both the soundbar and subwoofer, a red standby indicator will light up on the front of the soundbar, and a blue indicator will light up on the rear panel of the subwoofer.
- Press power button on the remote or the top panel to switch on the soundbar (provided it has been pre-paired to the soundbar). The red indicator will go off, and the input selected will appear on the display. To select the input, press the input selector button repeatedly till you see the input you want.
- Pairing – The soundbar and subwoofer are pre-paired at the factory, and will automatically pair when switched on. Depending upon whether the subwoofer is paired to the soundbar or not, the blue indicator on the rear panel of subwoofer will be either on or off. If the subwoofer needs pairing, proceed as follows
  - i. Long press the pairing switch on the subwoofer till the subwoofer indicator starts to flash rapidly
  - ii. Long press the input select switch on the soundbar from the top panel or the remote till you see pairing message on the display.
  - iii. When pairing is successful, it will be displayed on the soundbar and the subwoofer indicator will be steady

### SUBWOOFER VOLUME

- The relative volume of your subwoofer compared to the overall volume has been set at an optimum value at the factory. However, if you want to change this volume, press Vol\_Select button on your remote. You will see subwoofer volume on the display. Set the volume as required. The subwoofer volume range is -5 to + 5, adjustable in steps of 1. The default level is +1.

### HDMI INPUT THROUGH TV

- If you have made connection as per Figure 4.1, and want to play content from the TV, select eARC as the input. In this case, the TV carries out the Dolby Atmos decoding, and passes the digital audio output to the soundbar, for reproduction.
- On your TV, under Settings page, check that HDMI-CEC and HDMI eARC have been enabled. Also select “Bitstream” or “Raw data” in the audio output settings, when watching Dolby Atmos movies, for the best Dolby Atmos experience. Refer to the owner’s manual of your TV for more information.
- If your TV is configured to receive streaming content from OTT platforms, select the content and play. You should be able to hear the audio from your soundbar and subwoofer. Adjust volume, and select any of the pre-configured settings for Movie, Music and Voice modes, with the help of the buttons on the remote.
- When Dolby Atmos content is detected, it will be displayed on the display of the soundbar. If the programme material does not have Dolby Atmos content, the display will show Dolby Surround. Select “Movie” as the sound mode, and keep the Dolby Virtualiser button on the remote on, for Dolby Atmos immersive effect. If you are playing Dolby Atmos content, and switch off the Dolby Virtualiser button, the display will change from Dolby Atmos to Dolby DD+, and you will not get the Dolby Atmos immersive effect.
- If you are playing movies or other content from your digital device such as Blu-Ray player, go to settings page and select “Bitstream” or “Raw data” in the audio output settings, when watching Dolby Atmos movies, for the best Dolby Atmos experience.

### HDMI INPUT THROUGH SOUNDBAR

- If you have connected the output of your digital device to your soundbar, as per Figure 4.2 and want to play content from this, select HDMI as the input. Go to the settings page of your digital output device and select “Bitstream” or “Raw data” in the audio output settings, when watching Dolby Atmos movies, for the best Dolby Atmos experience. In this case, the soundbar carries out the Dolby Atmos decoding and passes the video output to the TV, for viewing.
- When Dolby Atmos content is detected, it will be displayed on the display of the soundbar. If the programme material does not have Dolby Atmos content, the display will show Dolby Surround. Select “Movie” as the sound mode, and keep the Dolby Virtualiser button on the remote on, for Dolby Atmos immersive effect. If you are playing Dolby Atmos content, and switch off the Dolby Virtualiser button, the display will change from Dolby Atmos to Dolby DD+, and you will miss the Dolby Atmos immersive effect.

### OTHER INPUTS

- OPTICAL –Connect optical output of your digital device to the socket marked Optical, with an optical cable, as shown in connection diagram 4.3. Select optical input from remote control or through switch on top panel. Keep the mode selector button on remote in music position. Adjust volume, subwoofer volume etc as required
- BT – Select BT input from the BT hotkey on remote or through input selector, or through buttons on top panel. To connect your BT device to the soundbar, search for ‘SAMA 5000’ and connect. Keep the mode selector button on remote in music position. Adjust volume, subwoofer volume etc as required
- USB - Connect USB output of your digital device to the socket marked USB, with an USB cable. Select USB input from remote control or through buttons on top panel. Keep the mode selector button on remote in music position. Adjust volume, subwoofer volume etc as required
- AUX – Connect output of any analog device to this socket with a 3.5mm stereo cable. Select Aux input from remote control or through switch on top panel. Keep the mode selector button on remote in music position. Adjust volume, subwoofer volume etc as required

### ACOUSTIC

SYSTEM FREQ. RESPONSE	35Hz ~ 20kHz (-10dB)
TRANSDUCER COMPLEMENTS	3 x high definition full range drivers for LCR 1 x high excursion 6.5” subwoofer

### AMPLIFIER

TYPE	Class D
CHANNELS	3.1
POWER OUTPUT (TOTAL)	400 watt

### SUBWOOFER

TYPE	Wireless
------	----------

### INTERFACE

INPUT AND OUTPUT TERMINALS	HDMI, Optical, AUX, Bluetooth
BLUETOOTH®	A2DP 1.4
BLUETOOTH® VERSION	5.4
HDCP	Yes (2.3)

### HDMI

INPUT/OUTPUT	INPUT / OUTPUT: 1/1 (eARC/audio return channel)
eARC	Yes
4K/60P/YUV4:4:4	Yes (HDMI eARC with 4K Dolby Vision passthrough)
HDR	Yes
DOLBY VISION™ COMPATIBLE	Yes
HLG (HYBRID LOG GAMMA)	Yes
HDCP	Yes (2.3)
HDMI CEC	Yes

**AUDIO**

AUDIO FORMAT OVER HDMI	Dolby Digital, Dolby Digital Plus, Dolby True HD
BLUETOOTH®	SBC

**DETAILS**

POWER CONSUMPTION *APPROX	Soundbar: 40W Subwoofer: 25W
WALL-MOUNTABLE	Yes
WHAT'S IN THE BOX	1 x Soundbar 1 x Wireless subwoofer 1 x Remote control 2 x AAA batteries for remote control 1 x HDMI cable (1.5mtr) 2 x AC power cord Owners Manual Warranty Card Mounting screws and wall plug Mounting template

**DIMENSIONS & WEIGHT**

DIMENSIONS (WxHxD)	Soundbar: 880mm x 66mm x 130mm Subwoofer: 238mm x 350mm x 238mm
WEIGHT	Soundbar : 3.2kg Subwoofer: 4.4kg

*Due to continuous improvements, all specifications are subject to change*

**TRADEMARKS**



Dolby, Dolby Atmos and the double-D symbol are registered trademarks of Dolby Laboratories Licensing Corporation. Manufactured under license from Dolby Laboratories. Confidential unpublished works. Copyright © 2012-2024 Dolby Laboratories. All rights reserved.

**WARRANTY INFORMATION**

In substitution of any warranty or condition implied, this equipment is warranted against failure arising through faulty workmanship or material for a period of 24 calendar months from the date of purchase. During this period, subject to the conditions stated here, the manufacturer will replace or repair any defective part free of charge (including parts and labour). This warranty is only given with respect to faulty workmanship and/ or materials and does not cover misuse or consequential damage. Claims under the warranty will be considered only if the product is returned to an authorised SONODYNE Service Centre directly, or through an authorized reseller.

- This warranty is applicable only to the original purchaser when purchase is made directly from SONODYNE or from an authorized SONODYNE reseller. Any claim be accompanied by the original Tax / GST invoice.
- The warranty DOES NOT COVER:
  - a. Damage resulting from incorrect installation or use not in accordance with the operating instruction issued by the manufacturer.
  - b. Consequential damage.
- This warranty will be rendered invalid if any unauthorized alteration, modification or substitution is carried out or if the Serial No. is altered and/ or defaced.
- All equipment for servicing must be sent, carriage paid, to an authorized Service Centre, The Company will accept no responsibility for loss or damage in transit
- If the equipment or any part of it is returned for any cause not covered by the warranty, all costs involved, including charges for inspection and handling will have to be borne by the customer.
- No reseller has the authority to vary the terms of this warranty.

Register your product  
to activate your warranty:  
<https://sonodyne.com/registerproduct>



Upload a picture or video of your Sonodyne  
product or write about your Sonodyne  
experience.

<https://sonodyne.com/review>




If you have anything less than a 5 star experience,  
please contact us at [response@sonodyne.com](mailto:response@sonodyne.com)  
and we will make it right

# SONODYNE<sup>®</sup>

SONODYNE, India • H.O.: 98 NB Block E New Alipore, Kolkata 700053

 sonodyneofficial

 +91 9830855260

 sonodyneofficial

 [response@sonodyne.com](mailto:response@sonodyne.com)

 [www.sonodyne.com](http://www.sonodyne.com)