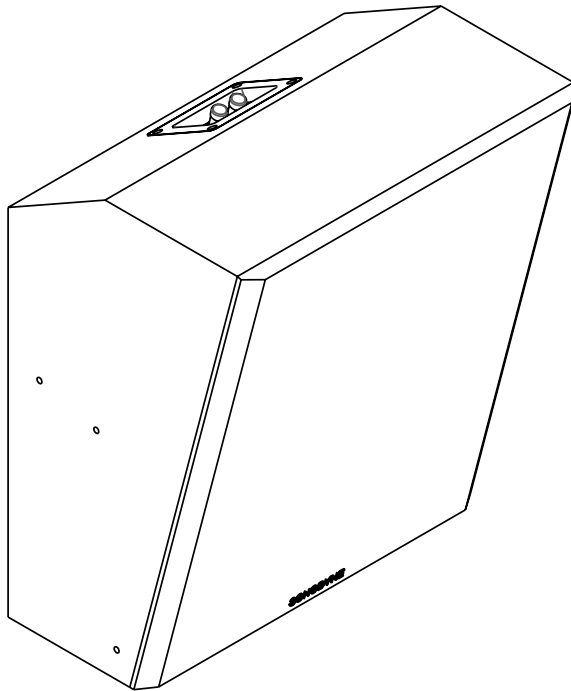


**SONODYNE<sup>®</sup>**

**CS 3320 SERIES**

CS 3321/33222/3323/3324

surround speakers | owners manual



**MADE IN INDIA**  
since 1970

## INTRODUCTION

The CS 3320 Series comprises 4 models of surround speaker for an immersive multi-channel cinema experience.

## DESCRIPTION

All models of CS 3320 Series are 2 way systems using an woofer and a compression driver mounted in a specially-designed waveguide having wide directivity of 90° horizontal by 90° vertical.

They feature a heavily-braced MDF cabinet and come with 4 x M6 inserts on the back which can be used with an optional wall-mount bracket CS 3300WB. There are also 2 x M8 threaded inserts on each side, allowing both wall and ceiling mounting with an optional U bracket.

The baffle is tilted downward at an industry-standard 20° when mounted with optional wall-mount bracket CS 3300WB.

Connection is via colour coded spring-loaded binding posts mounted on the top for easy access.

A grill with acoustically transparent fabric stretched on a rigid wooden frame protects the transducers. Finish of cabinet is black PVC.

The CS 3321 is the smallest in the series. It uses an 8 inch woofer with a 1.5 inch voice coil and a 1 inch compression driver with 1.35 inch voice coil having an SPL of 93dB and power handling of 300W program.

The next in the series is CS 3322 featuring a 10 inch woofer with a 2 inch voice coil and a 1 inch compression driver with 1.35 inch voice coil having an SPL of 95dB and power handling of 400W program.

There is a higher power version of CS 3322, the CS 3323, featuring a 10 inch woofer with a 2.5 inch voice coil and a 1 inch compression driver with 1.75 inch voice coil having an SPL of 95dB and power handling of 800W program.

The flagship model is the CS 3324 featuring a 12 inch woofer with a 3.5 inch voice coil and a 1 inch compression driver with 1.75 inch voice coil having an SPL of 97dB and power handling of 1000W program.

## UNPACKING

The CS 3321/3322/3323 are packed in twos in a carton, while the CS 3324 is packed as singles

To unpack the unit, place the unit vertically and cut open the straps that hold the top and bottom tray and the sleeve together. Lift the top tray. Next hold the sleeve with both hands, and slide it up. Inside you will find two CS 3321/3322/3323 or one CS 3324 speaker with mounting hardware for rear mounting fitted to cabinet.

The speaker is wrapped in a PE bag resting on EPE buffers to prevent damage to the speaker. Inspect the speaker for any sign of damage. Please retain all packing materials in case you have to transport the unit in future.

# PRODUCT DIMENSIONS

FIG. 1: CS 3321

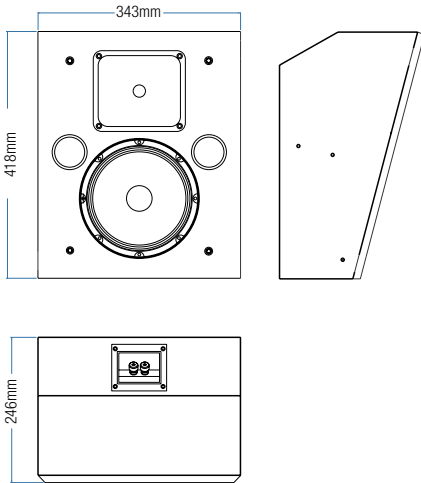


FIG. 2: CS 3322/ 3323

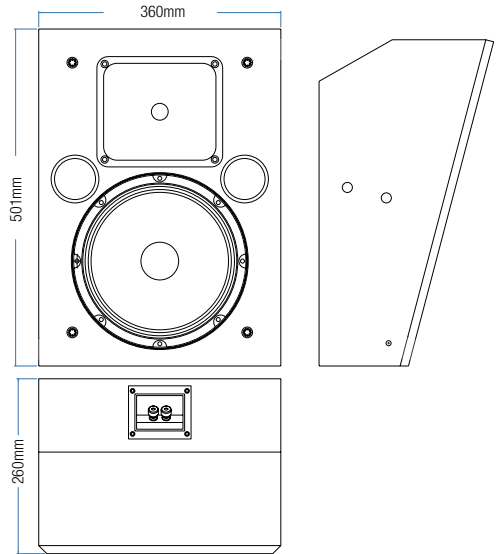
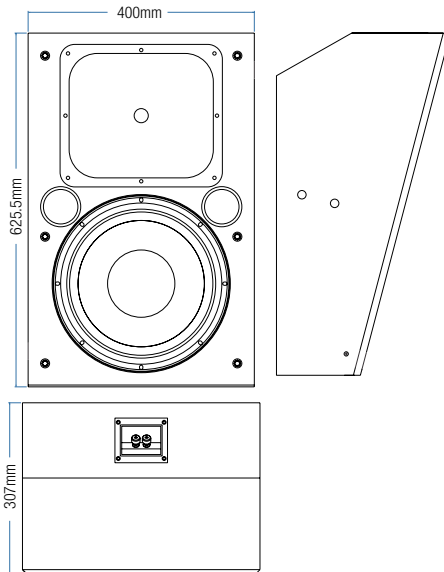


FIG. 3: CS 3324



The overall dimensions of the CS Series are shown in Fig 1, 2 and 3

# MOUNTING

The CS 3320 series speakers have threaded inserts on sides and back allowing them to be mounted on wall or ceiling using optional brackets and hardware.

Wall mounting using rear inserts:

The CS 3320 series can be wall-mounted with optional bracket CS 3300WB using the 4 rear-mounted inserts as shown in Figs 5, 6 and 7. Distance of mounting hole is shown in Fig. 4

FIG. 4

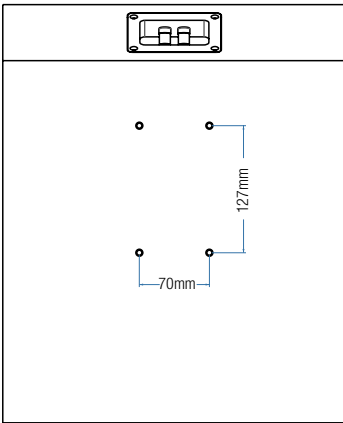
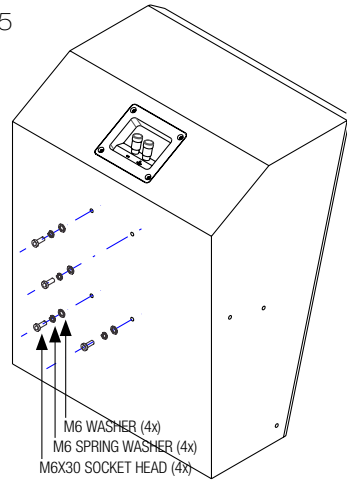
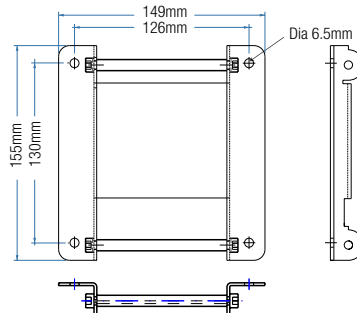
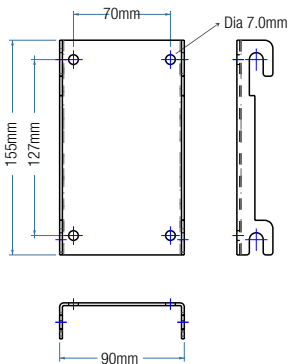


FIG. 5



Unscrew the socket head screws and washers fitted to the rear of the cabinet

FIG. 6

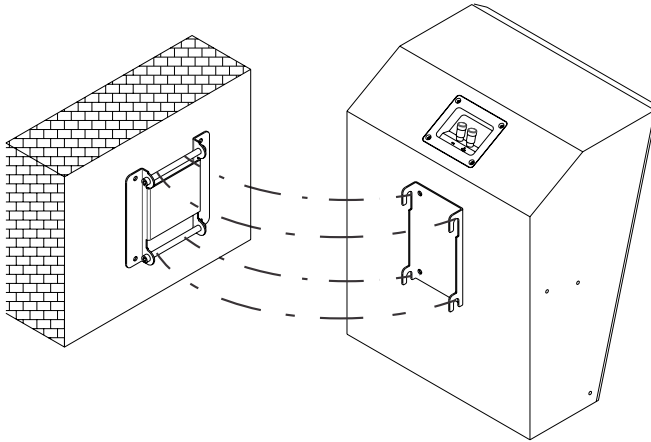


# MOUNTING

---

The CS 3300WB bracket consists of two parts – one which is fitted to cabinet, and the other fitted to wall. Fit the cabinet mounting part to the cabinet using the screws and washers opened in step 1

FIG. 7



Fit the wall mounting part to the wall using metal fasteners. Slip on the cabinet to the wall bracket so that the ears of the bracket mate with the metal rod and come to rest.

# CONNECTIONS

---

The CS 3320 Series speaker has colour-coded spring-loaded binding post on the top panel. Connect the speaker outputs of the amplifier to these terminals. To insert wire, press the binding post, insert the bare end of cable into the holes of the binding post, and release to secure. The holes can accommodate upto 4mm dia cable.

# SPECIFICATIONS

	CS 3321	CS 3322	CS 3323	CS 3324
DESCRIPTION	Cinema surround	Cinema surround	Cinema surround	Cinema surround
ENCLOSURE	MDF	MDF	MDF	MDF
LOW FREQUENCY TRANSDUCER	1 x 8 inch woofer 1.5 inch voice coil	1 x 10 inch woofer 2 inch voice coil	1 x 10 inch woofer 2.5 inch voice coil	1 x 12 inch woofer 3.5 inch voice coil
HIGH FREQ TRANSDUCER	1 x 1 inch throat 1.35 inch voice coil	1 x 1 inch throat 1.35 inch voice coil	1 x 1 inch throat 1.75 inch voice coil	1 x 1 inch throat 2.0 inch voice coil
NOMINAL IMPEDANCE	8Ω	8Ω	8Ω	8Ω
CONTINUOUS POWER HANDLING	150W	200W	400W	500W
PROGRAM POWER	300W	400W	800W	1000W
PEAK POWER	600W	800W	1600W	2000W
SENSITIVITY (1W/1M)	93dB	95dB	95dB	97dB
MAX CONTINUOUS SPL	115dB	118dB	121dB	124dB
MAX PEAK SPL	121dB	124dB	127dB	130dB
FREQ. RANGE (-3dB)	65Hz ~19kHz	60Hz ~17kHz	60Hz ~17kHz	55Hz ~17kHz
FREQ. RANGE (-10dB)	60Hz ~ 20kHz	55Hz ~ 18kHz	55Hz ~ 18kHz	50Hz ~ 18kHz
NOMINAL COVERAGE	90° x 90°	90° x 90°	90° x 90°	90° x 90°
DOWNWARD FIRING ANGLE	Nominal 20°	Nominal 20°	Nominal 20°	Nominal 20°
INPUT CONNECTIONS	Binding post	Binding post	Binding post	Binding post
MOUNTING	4 x inserts at back for wall mounting with optional wall mount bracket: CS 3300 WB	4 x inserts at back for wall mounting with optional wall mount bracket: CS 3300 WB	4 x inserts at back for wall mounting with optional wall mount bracket: CS 3300 WB	4 x inserts at back for wall mounting with optional wall mount bracket: CS 3300 WB
FINISH	Black	Black	Black	Black
PACKING	Pair	Pair	Pair	Single
PRODUCT DIMENSION HxWxD	432 x 343 x 234 mm	486 x 360 x 234 mm	460 x 460 x 260 mm	618 x 400 x 282 mm
SHIPPING DIMENSION HxWxD	425 x 512 x 512 mm	435 x 564 x 500 mm	435 x 564 x 500 mm	700 x 492 x 400 mm
NET WEIGHT EACH	10.3kg	11.3kg	11.8kg	17.5kg
GROSS WEIGHT	22.6kg	25.6kg	26.6kg	20kg

NOTE: Due to continuous improvements, all specifications are subject to change

Register your product  
to activate your warranty:  
<https://sonodyne.com/registerproduct>




Upload a picture or video of your Sonodyne  
product or write about your Sonodyne  
experience.  
<https://sonodyne.com/review>

If you have anything less than a 5 star experience,  
please contact us at [response@sonodyne.com](mailto:response@sonodyne.com)  
and we will make it right

# SONODYNE<sup>®</sup>

SONODYNE, India • H.O.: 98 NB Block E New Alipore, Kolkata 700053

 sonodyneofficial

 +91 9830855260

 sonodyneofficial

 [response@sonodyne.com](mailto:response@sonodyne.com)

 [www.sonodyne.com](http://www.sonodyne.com)