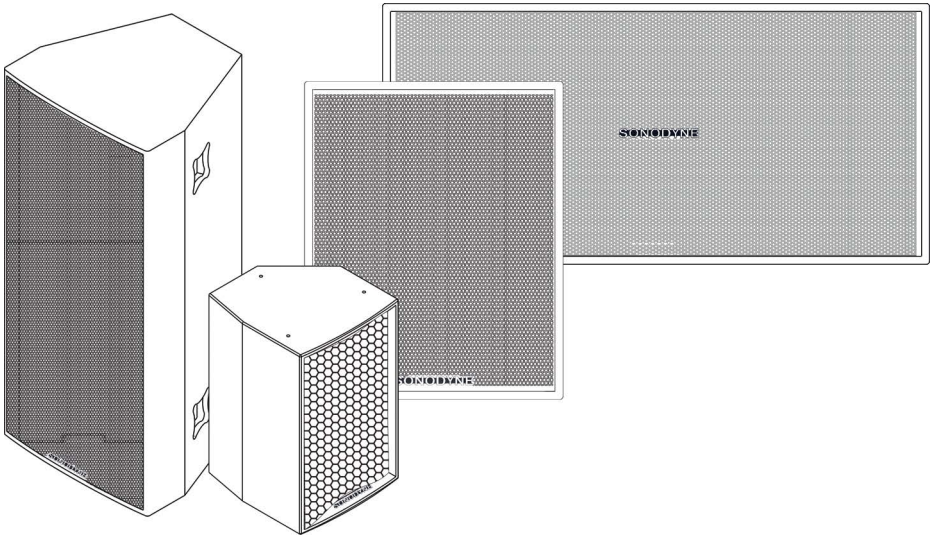


SONODYNE®

SLX SERIES

SLX 1008/1010/1120/1150/1152/2050/2080/2180/2182

professional speaker | owners manual



www.sonodyne.com

STATUTORY INFORMATION/ PRECAUTIONS

Congratulations on your purchase of the SLX Series professional speaker. It can be used for live sound reinforcement, permanent installations and a variety of other applications.



The exclamation mark within an equilateral triangle symbol is intended to alert the user of presence of important operating instructions in the owner's manual accompanying the product.

IMPORTANT SAFETY INSTRUCTIONS

1. Do not place the unit on an unstable surface that may topple and cause the unit to fall, thereby causing injury to the user or other people.
2. Do not place the unit outdoors where it may be exposed to strong sunlight, rain or moisture.
3. Do not place it near a water body or sprinkler.
4. Do not place the unit near heat radiating items like stoves, radiator etc.
5. Do not allow liquid or any chemical to spill on or into the product.
6. Do not open the unit or attempt to service it yourself. There is no user-serviceable part inside. Refer servicing to qualified service personnel only.

MOUNTING PRECAUTIONS

Follow all safety precautions provided by the manufacturer

Take necessary precautions while working in harsh weather. For example, use extra weights to weigh down the system, and provide more stability. Avoid using the speaker stands as points to tie banners as they may make the speaker unstable.

Confirm if the load bearing capacity of the bracket or pole is sufficient to mount the speaker. Always ensure you have adequate manpower to position and transport the speakers.

Verify that the stand/subwoofer are placed on level surface to prevent wobbling and accidents. If using a tripod stand, please ensure that the stand legs are fully extended to provide maximum stability to the speaker.

Never mount more than one speaker on the pole or stand

Before mounting the speakers, ensure that all stands and poles are mechanically ok

MOUNTING SUSPENSION INSTRUCTIONS

The SLX 1008, 1110, 1120 and 1150 speakers are equipped with suspension points on all sides enabling them to be flown and angled in any desired direction/orientation. When flying the speakers, customers should ensure that they follow the guidelines for hanging, established by the respective countries. It is highly recommended that all flying hardware be thoroughly checked before the speakers are flown. Users should ensure that the weight of the flown speakers are within the load bearing capacity of the suspension system. The maximum load bearing capacity of the suspension system should never be exceeded as it is extremely dangerous, and poses great risk. Please ensure that the rigging hardware complies with ASME B30.20.

MOUNTING

The speakers may be mounted on brackets fixed to a wall, or on stands. The details of mounting are shown in the figures shown below. The SLX 1008/1010/1012/1120/1015/1150 models are equipped with pole-mount sockets, for fixing to a pole. It can be found at the bottom of the unit. Using this socket, the speaker may either be mounted on stands or on a pole-mount wall-bracket. The speakers may also be used as stage monitor/wedges. The SLX 1008/1010/1012/1015 models can be wall mounted using brackets fixed to a wall.



RECOMMENDED AMPLIFIER POWER

The recommended SLA series amplifiers for driving the different SLX speakers are shown in the chart below, along with the power output. Please note that the SLA amplifiers have built-in limiting against clipping and overdrive, which would otherwise damage the loudspeakers if operated in clipping for long durations. If you are using other amplifiers without built-in limiting, choose an RMS power rating which is 1.5 times the rated AES power of the SLX series, that is, 1.5 times the recommended RMS amplifier power in the chart below. Also, while using such an amplifier, ensure that the clip LED lights up only occasionally during peaks in the signal. This way, you can avoid distortion and damage to the loudspeakers by overdrive, at the same time, be able to drive the loudspeakers to its maximum rated power.

MODEL	RECOMMENDED AMPLIFIER POWER PER CHANNEL WITH BUILT-IN LIMITING	RECOMMENDED SLA AMPLIFIER
SLX1008	100W @ 8Ω	
SLX 1010	200W @ 8Ω	
SLX 1120	400W @ 8Ω	SLA2004
SLX 1150	600W @ 8Ω	SLA2006
SLX 1152	1200W @ 4Ω	SLA2008
SLX 2050	400W @ 8Ω	SLA2013
SLX 2080	800W @ 8Ω	SLA2013
SLX 2180	1300W @ 8Ω	SLA2013
SLX 2182	2600W @ 4Ω	SLA2015

WHY USE A SUBSONIC FILTER?

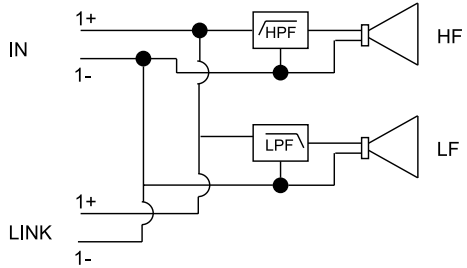
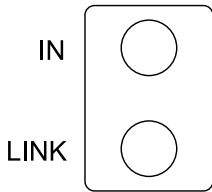
For vented-design loudspeakers, if frequencies below the tuning frequency of the cabinet are fed to the speaker, it will put unnecessary stress on the woofer. The woofer cone excursion will increase and might become uncontrolled. However, these frequencies do not produce any acoustic output from the speaker. Having a subsonic filter in the system will help roll off these frequencies and protect the drivers from getting damaged, at the same time reducing the load on the amplifier and preventing wastage of electrical power. For the SLX2180 and SLX2182 subwoofers it is recommended to use the SLX SC1 which is a subsonic filter cum low-pass filter with gain, frequency and phase controls.

MODEL	RECOMMENDED SUBSONIC FILTER	MODEL	RECOMMENDED SUBSONIC FILTER
SLX 1008	60Hz,24dB/octave	SLX 2050	35Hz,24dB/octave
SLX 1010	55Hz,24dB/octave	SLX 2080	35Hz,24dB/octave
SLX 1120	50Hz,24dB/octave	SLX 2180	35Hz,24dB/octave
SLX 1150	45Hz,24dB/octave	SLX 2182	35Hz,24dB/octave
SLX 1152	40Hz,24dB/octave		

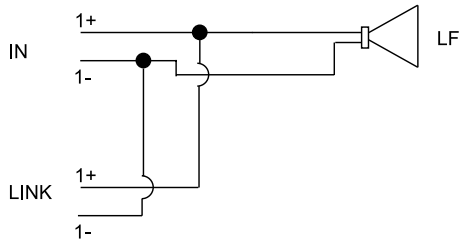
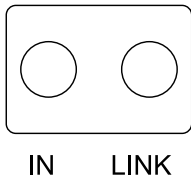


INPUT CONNECTIONS/ BLOCK DIAGRAMS

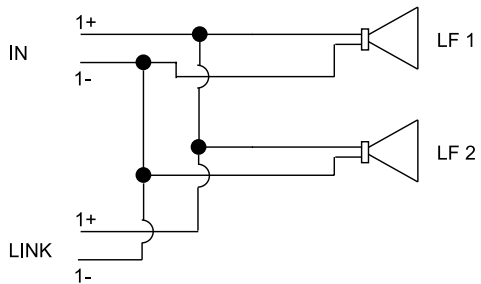
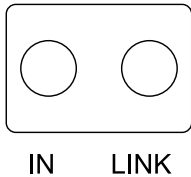
SLX 1008/SLX 1010/SLX 1120/SLX 1150/SLX1152



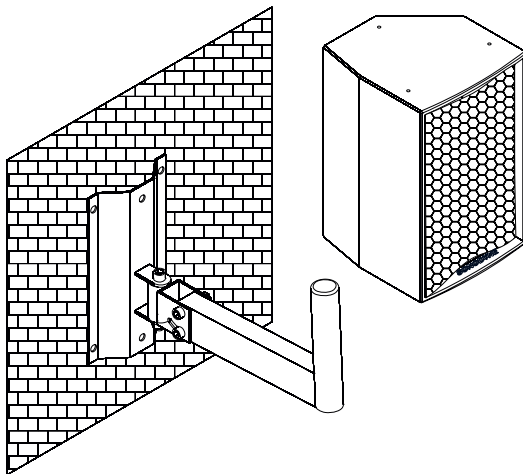
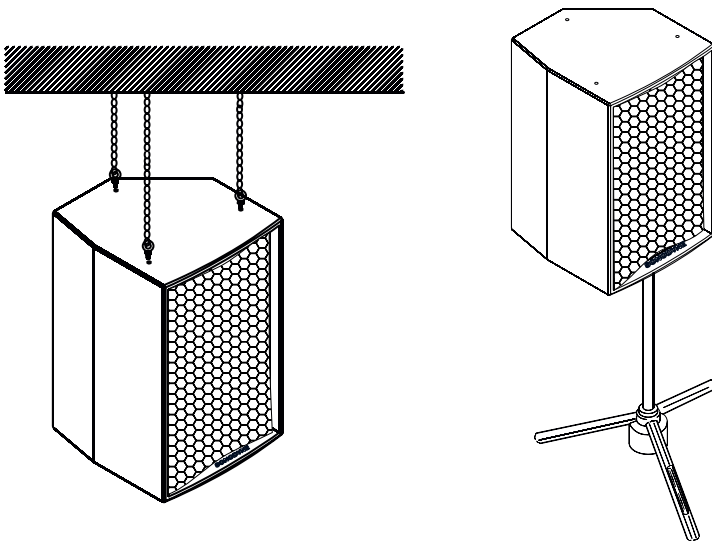
SLX 2180/ 2080/ 2050



SLX 2182



MOUNTING



SPECIFICATIONS

	SLX 1008	SLX 1010	SLX 1120	SLX 1150
DESCRIPTION	Passive 2 way, 8", bass-reflex	Passive 2 way, 10", bass-reflex	Passive 2 way, 12", bass-reflex	Passive 2 way, 15", bass-reflex
LF TRANSDUCER				
SIZE	8"	10"	12"	15"
VOICE COIL	1.5"	2"	2.5"	3"
HF TRANSDUCER				
SIZE	1"	1"	1"	1"
VOICE COIL	1.1"	1.1"	1.75"	2"
NOMINAL IMPEDANCE	8Ω	8Ω	8Ω	8Ω
FREQUENCY RANGE (-10dB)	60Hz ~ 22kHz	50Hz ~ 22kHz	45Hz ~ 22kHz	40Hz ~ 22kHz
FREQUENCY RESPONSE(-3dB)	70Hz ~ 20kHz	60Hz ~ 20kHz	55Hz ~ 20kHz	50Hz ~ 20kHz
CROSSOVER FREQUENCY	2.9kHz	1.2kHz	3.2kHz	2.5kHz
RECOMMENDED SUBSONIC FILTER	60Hz, 24dB/octave	55Hz, 24dB/octave	50Hz, 24dB/octave	45Hz, 24dB/octave
HF DIRECTIVITY	90° x 50°	90° x 50°	90° x 50°	90° x 50°
SENSITIVITY (1W 1M)	92dB	94dB	95dB	96dB
MAX SPL				
CONTINUOUS	112dB	117dB	121dB	124dB
PEAK	118dB	123dB	127dB	130dB
POWER HANDING				
CONTINUOUS	100W	200W	400W	600W
PROGRAM	200W	400W	800W	1200W
CONNECTORS	1 x Twist-lock connector (input) 1 x Twist-lock connector (link)			
MOUNTING	35.5mm pole, 18 x M10 suspension points	35.5mm pole, 18 x M10 suspension points	35.5mm pole, 18 x M10 suspension points	35.5mm pole, 17 x M10 suspension points
FINISH	Durable Paint			
ENCLOSURE SHAPE	Wedge, with one 45° face	Wedge, with one 45° face	Wedge, with one 45° face	Wedge, with one 45° face
ENCLOSURE MATERIAL	15mm Plywood	15mm Plywood	15, 18mm Plywood	15, 18mm Plywood
GRILLE	Powder coated 18 gauge perforated steel			
DIMENSIONS HxWxD mm	445 x 270 x 290	517 x 320 x 350	610 x 360 x 380	685 x 435 x 458
WEIGHT	11.7kg	14.5kg	17.3kg	23kg

SPECIFICATIONS

	SLX 1152	SLX 2050	SLX 2080
DESCRIPTION	Passive 2 way, dual 15", bass-reflex	Passive, 15" Subwoofer	Passive, dual 18" Subwoofer
LF TRANSDUCER			
SIZE	2 x 15"	15"	18"
VOICE COIL	3"	3"	4"
HF TRANSDUCER			
SIZE	2"	NA	NA
VOICE COIL	3"	NA	NA
NOMINAL IMPEDANCE	4Ω	8Ω	8Ω
FREQUENCY RANGE (-10dB)	35Hz ~ 19kHz	35Hz ~ 150Hz	30Hz ~ 150Hz
FREQUENCY RESPONSE(-3dB)	47Hz ~ 17kHz	45Hz ~ 170Hz	40Hz ~ 170Hz
CROSSOVER FREQUENCY	1.5kHz	Recommended: 80 ~ 120Hz, 18 ~ 24dB/oct low-pass	
RECOMMENDED SUBSONIC FILTER	40Hz, 24dB/octave	35Hz, 24dB/octave	35Hz, 24dB/octave
HF DIRECTIVITY	90° x 50°	NA	NA
SENSITIVITY (1W 1M)	99dB	99dB	96dB
MAX SPL			
CONTINUOUS	130dB	125dB	125dB
PEAK	136dB	131dB	131dB
POWER HANDING			
CONTINUOUS	1200W	400W	800W
PROGRAM	2400W	800W	1600W
CONNECTORS	1 x Twist-lock connector (input) 1 x Twist-lock connector (link)		
MOUNTING	12 x M10 suspension points	NA	NA
FINISH	Durable Paint		
ENCLOSURE SHAPE	Trapezoidal	Rectangular	Rectangular
ENCLOSURE MATERIAL	18mm Plywood	18mm Plywood	18mm Plywood
GRILLE	Powder coated 18 gauge perforated steel		
DIMENSIONS HxWxD mm	1192 x 546 x 517	590 x 460 x 520	700 x 565 x 690
WEIGHT	56kg	29kg	43.4kg

SPECIFICATIONS

	SLX 2180	SLX 2182
DESCRIPTION	Passive, 18" Subwoofer	Passive, dual 18" Subwoofer
LF TRANSDUCER SIZE	18"	2 x 18"
VOICE COIL	5"	5"
NOMINAL IMPEDANCE	8Ω	4Ω
FREQUENCY RANGE (-10dB)	30Hz ~ 150Hz	30Hz ~ Crossover freq
FREQUENCY RESPONSE(-3dB)	40Hz ~ 170Hz	40Hz ~ Crossover freq
CROSSOVER FREQUENCY	Recommended: 80 ~ 120Hz, 18 ~ 24dB/ oct low-pass	
RECOMMENDED SUBSONIC FILTER	35Hz, 24dB/octave	35Hz, 24dB/octave
SENSITIVITY (1W 1M)	97dB	100dB
MAX SPL CONTINUOUS	128dB	134dB
PEAK	134dB	140dB
POWER HANDING CONTINUOUS	1300W	2600W
PROGRAM	2600W	5200W
CONNECTORS	1 x Twist-lock connector (input) 1 x Twist-lock connector (link)	
FINISH	Durable Paint	Durable Paint
ENCLOSURE SHAPE	Rectangular	Rectangular
ENCLOSURE MATERIAL	18mm Plywood	18mm Plywood
GRILLE	Powder coated 18 gauge perforated steel	
DIMENSIONS HxWxD mm	700 x 565 x 690	574 x 1205 x 681
WEIGHT	51kg	92kg

Due to continuous improvements, all specifications are subject to change

SONODYNE®

A product of the Mukherjee Innovation Centre

Manufactured by Sonodyne Technologies Pvt. Ltd, 98 NB Block E New Alipore, Kolkata 700053, INDIA

Tel: 1-800-123-37-36; E-mail: response@sonodyne.com

Please visit us at www.sonodyne.com