

SONODYNE[®]

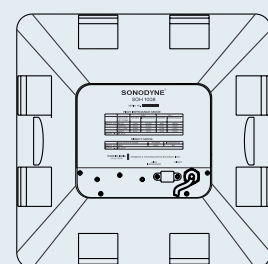
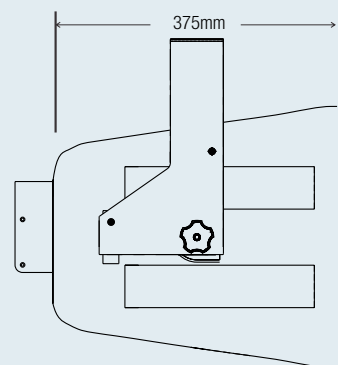
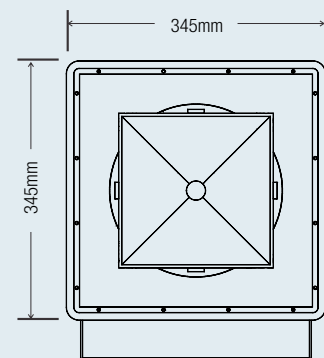
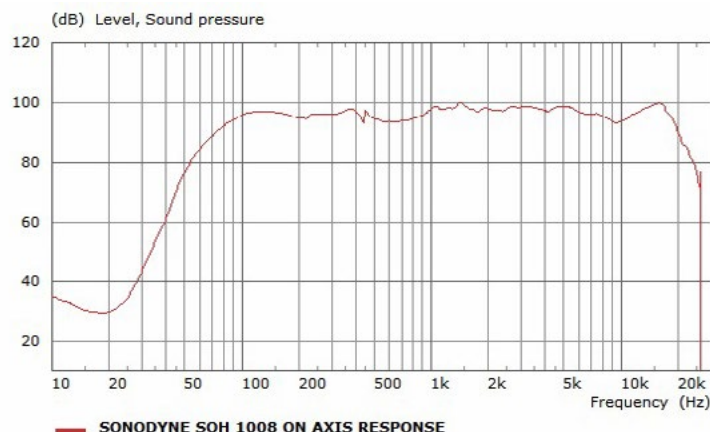
SOH 1008



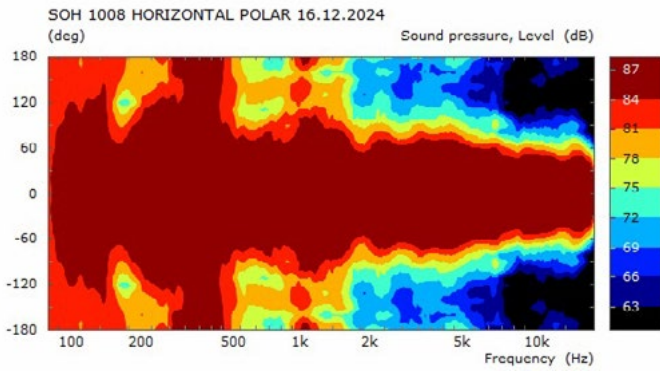
The SOH 1008 is a compact, 2-way, coaxial-horn loaded, weather-resistant and IP-55 rated full-range loudspeaker system. It can be used for speech and music-fill in a wide variety of applications, including sports facilities, stadiums, themed entertainment venues, water parks, outdoor background music/paging systems, and a wide variety of other outdoor or indoor venue types

- Weather-resistant IP55 rating
- Extraordinary clarity for speech, with extended frequency response for music
- Smooth consistent directivity of 120° x 120°
- 300 watt AES power handling with 95dB SPL
- 80Hz ~ 20kHz frequency response
- 80 watt 70V/100V multi-tap built-in transformer or direct 8Ω low-impedance
- LDPPE enclosure with weather-resistant coat and heavy internal bracing
- Weather-resistant heavy duty U bracket with 5 tilt positions in 5° increments
- 8" low frequency driver with die-cast aluminium frame, double coated paper cone, 3° high-temperature voice coil and 170mm magnet
- 25mm throat compression driver with titanium diaphragm and 1.5° high-temperature voice coil
- Directivity-matched transition 4th order crossover network for consistent directivity and smooth, natural midrange
- Overload protection for compression driver

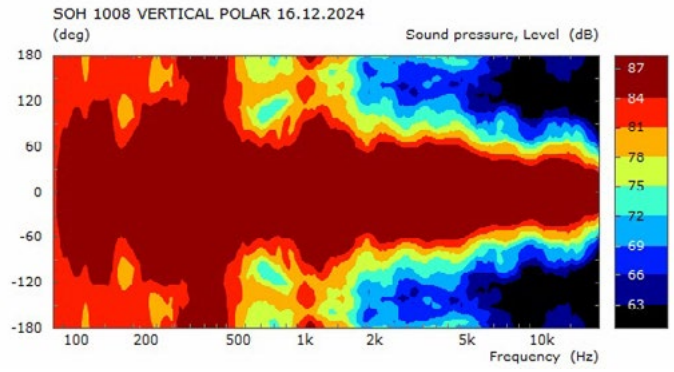
ON AXIS FREQUENCY PLOT



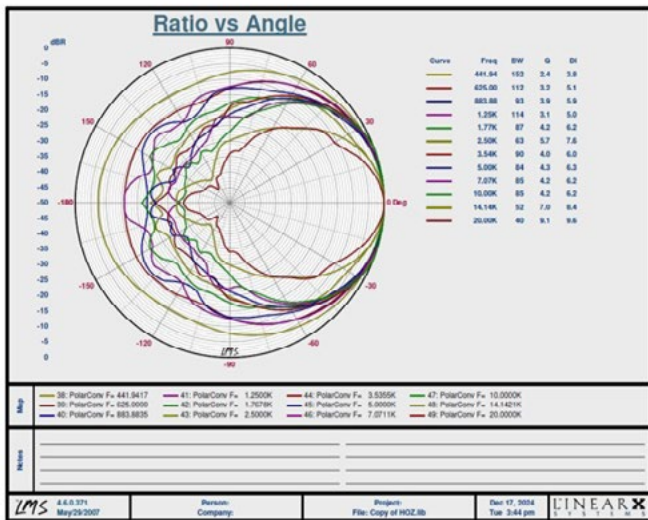
HORIZONTAL ISOBARIC PLOT



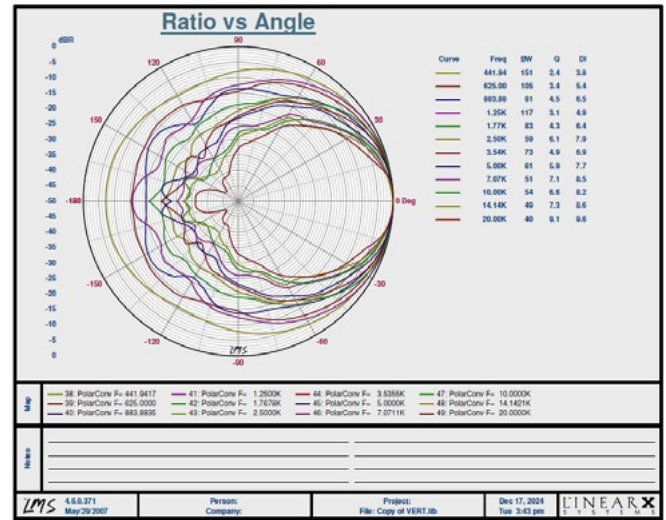
VERTICAL ISOBARIC PLOT



HORIZONTAL POLAR PLOT



VERTICAL POLAR PLOT



DESCRIPTION	Weather resistant horn loaded coaxial loudspeaker
TRANSDUCERS	HF: 1 x 1" throat compression driver, 1.35" VC, horn loaded LF: 1 x 8" woofer, 300W AES, 3" VC, horn loaded
CABINET MATERIAL	LLDPE (Low density propylene)
FREQ. RANGE (-10dB)	60Hz ~ 20kHz
FREQ. RESPONSE (-3dB)	80Hz ~ 18kHz
SPL 1W, 1M HALF SPACE	95dB
MAX SPL (HALF SPACE)	CONTINUOUS: 119dB, PEAK: 125dB @300W, direct mode CONTINUOUS: 114dB, PEAK: 120dB @80W tap
DIRECTIVITY	120° H x 120° V
POWER	CONTINUOUS: 300W PROGRAM: 600W

CROSSOVER FREQUENCY	800Hz
POWER TAPS	100V: 80W, 40W, 20W, 10W 70V: 40W, 20W, 10W, 5W
DIRECT MODE IMPEDANCE	8Ω
INPUTS	1m long 6-core cable terminated in cable gland
WEATHERISED RATING	IP55
MOUNTING	Weather resistant black powder coated 2.5 mm thick U bracket having 5 vertical tilt positions, mounted with 4 x M8 bolts on sides
FINISH	Black texture painted with weather proof paint
GRILL	Weather resistant black powder coated, 1.2 mm perforated steel with 3 mm 30 PPI black acoustic foam backing
PRODUCT DIMENSION HxWxD	345mm x 345mm x 425mm
NET WEIGHT	15kg

Due to continuous improvements, all specifications are subject to change