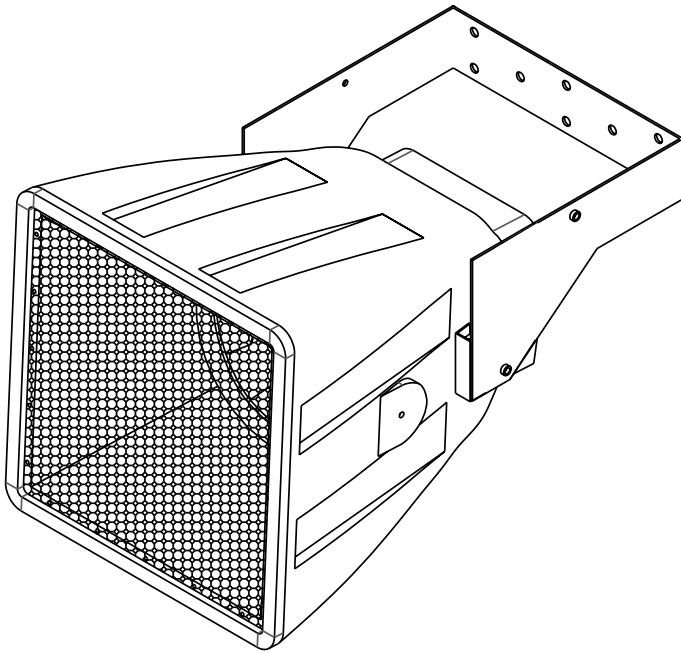


SONODYNE

SOH 1008
2 way outdoor speaker • owners manual



MADE IN INDIA
since 1970

Congratulations on your purchase of the SOH 1008 2-way Outdoor speaker with 100V and direct input. It can be used for permanent installation and a variety of other applications.

IMPORTANT SAFETY INSTRUCTIONS

1. Do not place the unit near heat radiating items like stoves, radiator etc.
2. Do not open the unit or attempt to service it yourself. There is no user-serviceable part inside. Refer servicing to qualified service personnel only.
3. Install the unit by following instructions provided by the manufacturer.

UNPACKING

To unpack the unit, open the carton by cutting along the edge of the flaps. Push the flaps wide open. Fold any one flap and tilt the carton on this edge taking care that the flap stays open. Gently turn the carton upside down so that all the 4 flaps stay open and spread out, and the unit rests on the EPE buffer.

Next lift the carton from the unit. Remove the EPE buffer on the bottom of the unit, facing you. Carefully lift the unit from the EPE buffer and remove the protective bag.

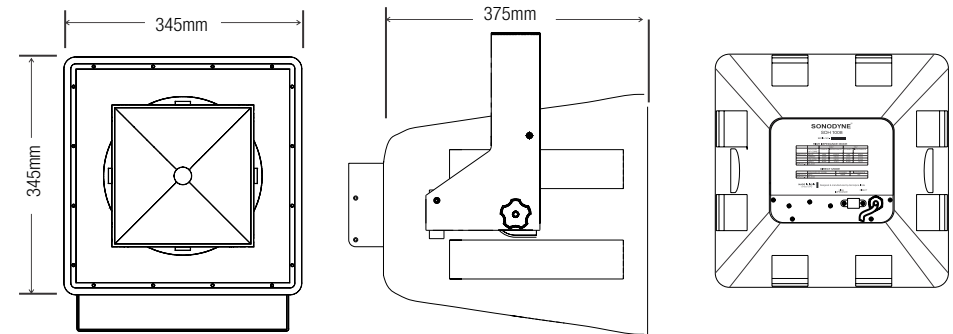
CONTENTS

Inside the carton you will find one SOH1008, with U bracket and mounting hardware fitted to the cabinet.

The SOH 1008 can be mounted on wall or ceiling.

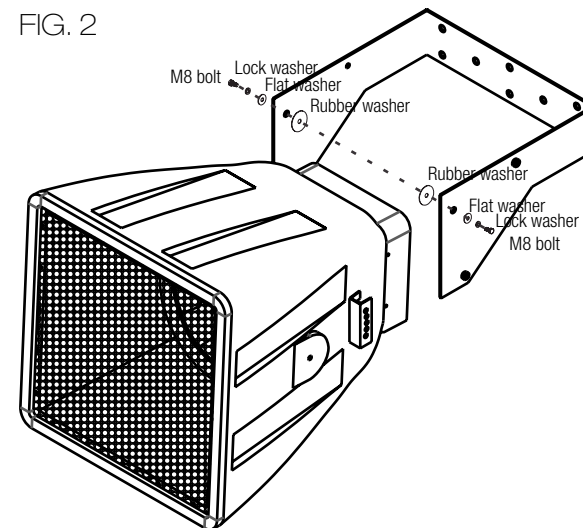
The overall dimensions are shown in FIG. 1

FIG. 1



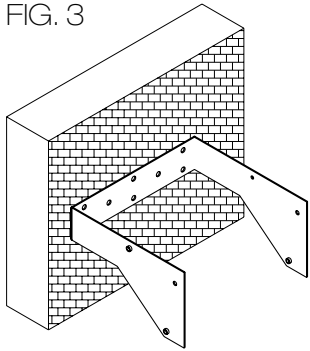
To mount, remove the U- bracket from the cabinet by unscrewing the 4 nos M8 bolt and removing the bolts along with washers. Please see FIG. 2

FIG. 2



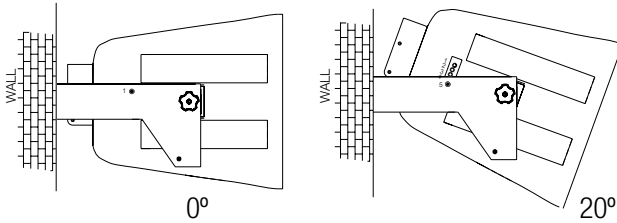
Using the bracket as a template, mark the positions on the mounting surface, drill holes and drive hollow anchor fastener or other suitable inserts into the wall. Fix the U bracket with appropriate screws matching to the anchor fastener or insert. Please see FIG 3

FIG. 3



Next align the fixed mounting hole of the bracket with that of the cabinet and screw on the M8 bolts along with the washers. Depending upon whether you want to mount the SOH 1008 horizontally or at an angle, fit the other M8 bolt to the corresponding threaded insert on the cabinet. The angle of tilt for different positions for wall -mounting is shown in FIG. 4

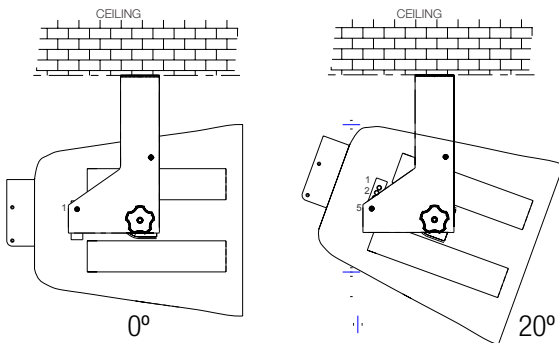
FIG. 4



ANGLE OF TILT	HOLE POSITION
0°	1
5°	2
10°	3
15°	4
20°	5

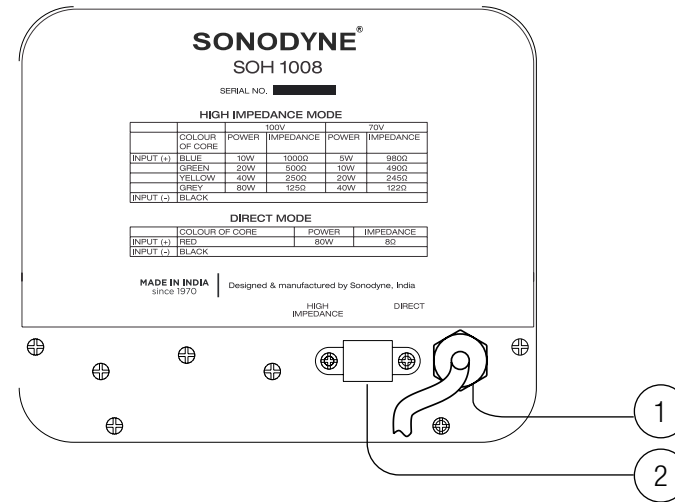
The angle of tilt for different positions for ceiling-mounting is shown in FIG. 5

FIG. 5



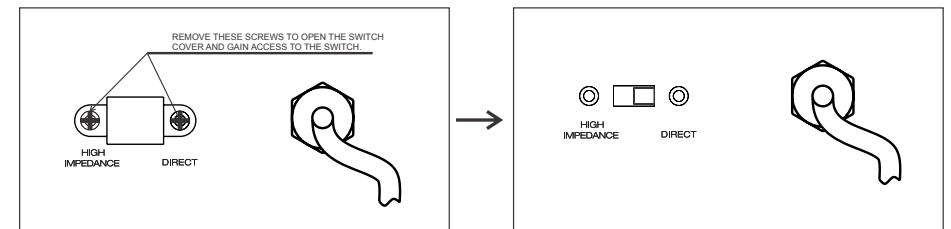
ANGLE OF TILT	HOLE POSITION
0°	1
5°	2
10°	3
15°	4
20°	5

The back panel consists of the following



- INPUT CABLE:** This is a 6-core 1m long cable terminated in a cable gland. The input cable consists of 6 colour coded wires corresponding to different power taps. For 100V connection, please connect the amplifier output to the required power tap, and common. The wire colour codes for different power taps are printed on the back plate.
- IMPEDANCE SELECTOR SWITCH:** With the help of this switch you can connect the direct 8Ω output of your amplifier to the speaker by following the wire colour codes for the same. Please move the impedance selector switch to "Direct" position for this. To do this, remove the 2 screws adjacent to the switch markings to open the plastic cover and gain access to the switch, as shown in FIG. 6. By default, the factory setting is "High Impedance" or 100V mode.

FIG. 6



SPECIFICATIONS

DESCRIPTION	Weather resistant horn loaded coaxial loudspeaker
TRANSDUCERS	HF: 1 x 1" throat compression driver, 1.35" VC, horn loaded LF: 1 x 8" woofer, 300W AES, 3" VC, horn loaded
CABINET MATERIAL	LLDPE (Low density propylene)
FREQUENCY RANGE (-10dB)	60Hz ~ 20kHz
FREQUENCY RESPONSE (-3dB)	80Hz ~ 18kHz
SPL 1W, 1M HALF SPACE	95dB
MAX SPL (HALF SPACE)	CONTINUOUS: 119dB, PEAK: 125dB @300W, direct mode CONTINUOUS: 114dB, PEAK: 120dB @80W tap
DIRECTIVITY	120° H x 120° V
POWER	CONTINUOUS: 300W PROGRAM: 600W
CROSSOVER FREQUENCY	800Hz
POWER TAPS	100V: 80W, 40W, 20W,10W 70V: 40W, 20W, 10W, 5W
DIRECT MODE IMPEDANCE	8Ω
INPUTS	1m long 6-core cable terminated in cable gland
WEATHERISED RATING	IP55
MOUNTING	Weather resistant black powder coated 2.5 mm thick U bracket having 5 vertical tilt positions, mounted with 4 x M8 bolts on sides
FINISH	Black texture painted with weather proof paint
GRILL	Weather resistant black powder coated, 1.2 mm perforated steel with 3 mm 30 PPI black acoustic foam backing
PRODUCT DIMENSION HxWxD	345mm x 345mm x 425mm
SHIPPING DIMENSION HxWxD	440mm x 440mm x 540mm
NET WEIGHT	15kg
GROSS WEIGHT	16.5kg

NOTE: Due to continuous improvements, all specifications are subject to change

Register your product
to activate your warranty:
<https://sonodyne.com/registerproduct>



Upload a picture or video of your Sonodyne
product or write about your Sonodyne
experience.

<https://sonodyne.com/review>

If you have anything less than a 5 star experience,
please contact us at response@sonodyne.com
and we will make it right

SONODYNE

SONODYNE, India • H.O.: 98 NB Block E New Alipore, Kolkata 700053



sonodyneofficial



+91 9830855260



SonodyneMusic



response@sonodyne.com



sonodyneofficial



www.sonodyne.com