

IMPEDANCE

IMPEDANCE TABLE OF SIC 2240

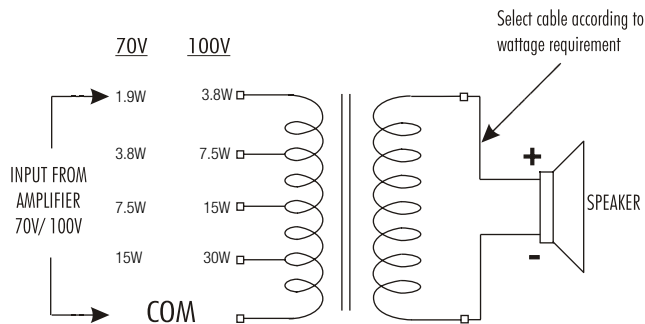
WATT	100V	70V
20W	500Ω	245Ω
10W	1kΩ	490Ω
5W	2kΩ	980Ω
2.5W	4kΩ	1.96kΩ

IMPEDANCE TABLE OF SIC 2260/2280

WATT	100V	70V
30W	333Ω	163Ω
15W	666Ω	326Ω
7.5W	1.33kΩ	653Ω
3.8W	2.63kΩ	1.3kΩ

NOTE: The combined impedance of the system should not fall below the above specified IMPEDANCE rating

SCHEMATIC



Shown for SIC 2260

SPECIFICATIONS

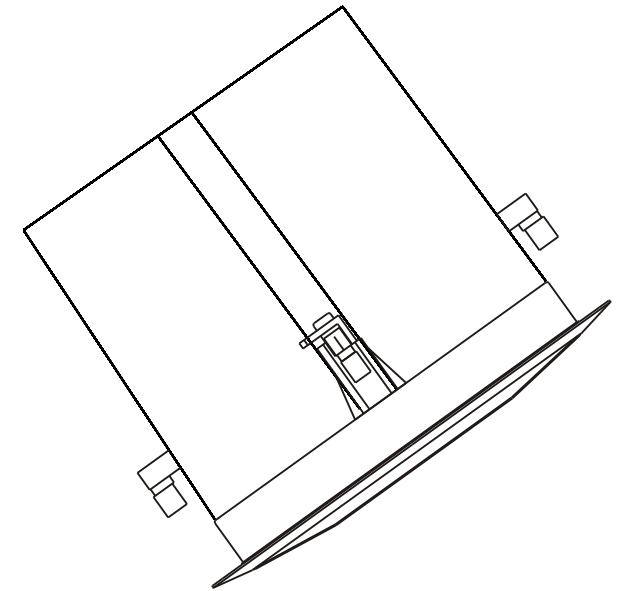
	SIC 2240	SIC 2260	SIC 2280
DESCRIPTION	2 way in-ceiling speaker with back can	2 way in-ceiling speaker with back can	2 way in-ceiling speaker with back can
TRANSDUCER	1 x 4" coaxial	1 x 6" coaxial	1 x 8" coaxial
FREQ. RANGE (-10dB)	80Hz ~ 22kHz	60Hz ~ 22kHz	50Hz ~ 22kHz
FREQ. RESP. (-3dB)	80Hz ~ 20kHz	60Hz ~ 20kHz	50Hz ~ 20kHz
SPL (1W/1M)	87dB	88dB	90dB
RATED POWER	99dB @ 20W	102dB @ 30W	104dB @ 30W
NOMINAL IMPEDANCE	8Ω	8Ω	8Ω
POWER HANDLING	30W	60W	60W
POWER TAP			
70V	1.25, 2.5, 5, 10W	1.9, 3.75, 7.5, 15W	1.9, 3.75, 7.5, 15W
100V	2.5, 5, 10, 20W	3.8, 7.5, 15, 30W	3.8, 7.5, 15, 30W
OUTER DIAMETER	205mm	260mm	300mm
CUT-OUT DIAMETER	179mm	234mm	274mm
COLOUR	White	White	White
GROSS WEIGHT	1.8kg	2.8kg	3.5kg

NOTE: Due to continuous improvements, all specifications are subject to change

SONODYNE

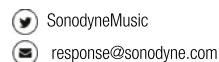
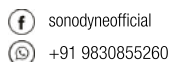
SIC 2240/2260/2280

in-ceiling speakers • owners manual



SONODYNE

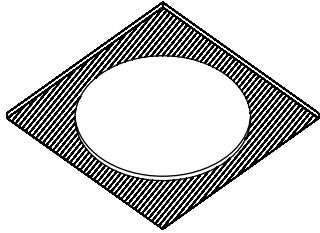
SONODYNE, India • H.O.: 98 NB Block E New Alipore, Kolkata 700053



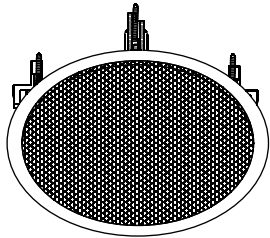
MADE IN INDIA
since 1970

MOUNTING

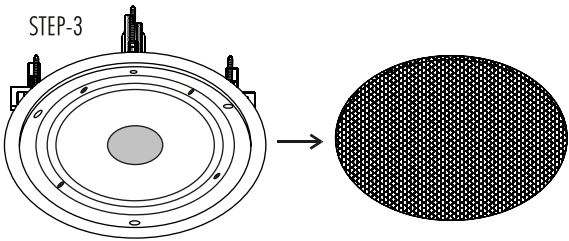
STEP-1



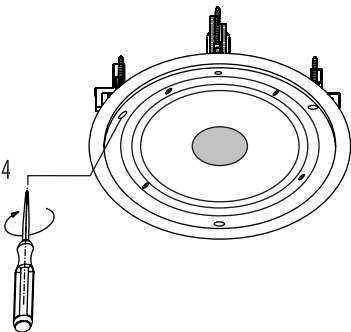
STEP-2



STEP-3

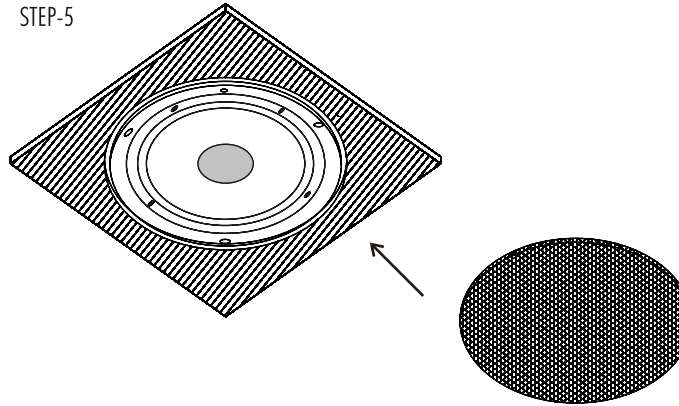


STEP-4



MOUNTING

STEP-5

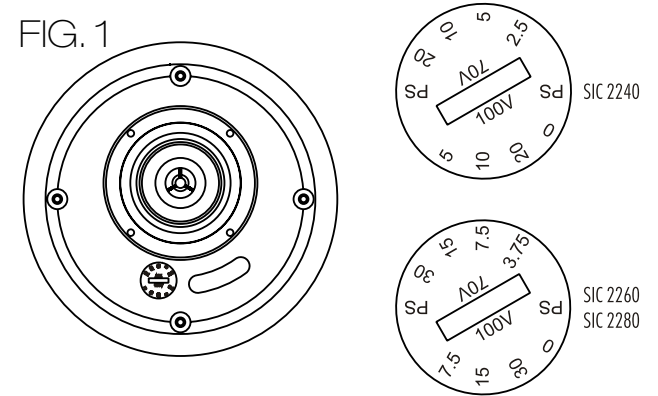


Follow the steps given below for mounting the SIC Series ceiling speakers:

- STEP 1** Make a cut-out in the ceiling or the surface where the SIC series ceiling speaker is to be installed, as per Fig1. Make sure there is enough room for the height inside the false ceiling.
- STEP 2** Make the necessary connections to the SIC series (Refer to Fig-2)
- STEP 3** Remove the grill of the speaker with the help of the grill opener provided
- STEP 4** Holding the speaker with the magnet facing upward (make sure you do not touch the drive unit) slide it through the ceiling cut-out so that the plastic frame comes to rest against the ceiling. Now tighten the 4 adjusting screws one by one. Tightening the screws will pull the dog-ears towards the ceiling till it makes firm contact. While sliding the speaker through the cut-out, make sure the dog-ears are not projecting outwards)
Warning: Do not over-tighten the screws. Care must be taken while tightening so that the drive unit does not get damaged.
- STEP 5** Fit the grill back in to the speaker

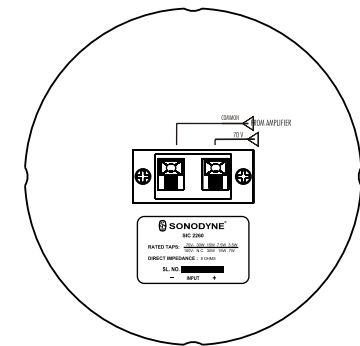
CUT-OUT & CONNECTIONS

FIG. 1



MODEL	CEILING CUT-OUT (DIA)	MAX HEIGHT	OVERALL DIA
SIC 2240	179mm	157mm	205mm
SIC 2260	234mm	184mm	260mm
SIC 2280	274mm	205mm	300mm

FIG. 2



There is a push type terminal at the rear. Connect the wires from 70V terminal of amplifier to - and + terminals. Please take care to observe correct polarity. Please note that if you connect to the 100V terminal of the amplifier, you will get double the wattage as shown on the rotary switch marking. However, you cannot connect the 100V line to the highest tap as this will exceed the maximum wattage of the transformer.

TAP SELECTION: To select, rotate the required tap to coincide with the pointer. To select 70V taps, follow 70V side of rotary switch. To select 100V taps, follow 100V side of rotary switch.