

IMPEDANCE

IMPEDANCE TABLE

WATT	100V	70V
20W	500Ω	245Ω
10W	1kΩ	490Ω
5W	2kΩ	980Ω
2.5W	NA	1.96kΩ

NOTE: The combined impedance of the system should not fall below the above specified IMPEDANCE rating

SPECIFICATIONS

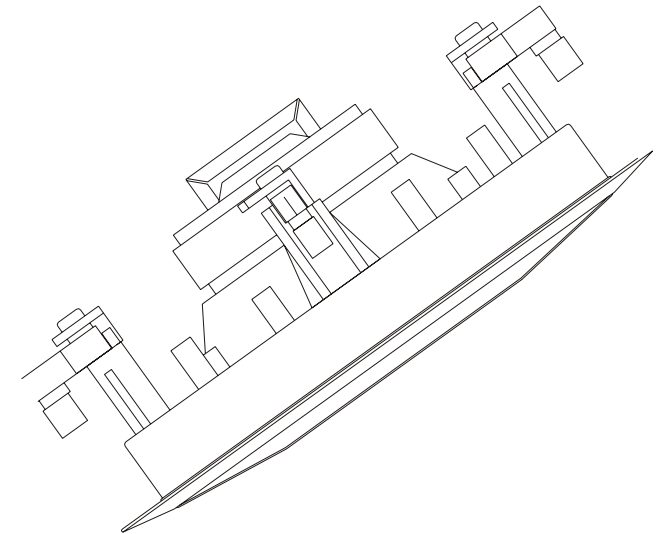
	SIC 1240	SIC 1260	SIC 1280
DESCRIPTION	2 way in-ceiling speaker	2 way in-ceiling speaker	2 way in-ceiling speaker
TRANSDUCER	1 x 4" coaxial	1 x 6" coaxial	1 x 8" coaxial
FREQ. RANGE (-10dB)	90Hz ~ 20kHz	70Hz ~ 20kHz	60Hz ~ 22kHz
FREQ. RESP. (-3dB)	110Hz ~ 18kHz	85Hz ~ 18kHz	65Hz ~ 20kHz
SPL (1W/1M)	87dB	88dB	90dB
RATED POWER	99dB @ 20W	100dB @ 20W	104dB @ 30W
NOMINAL IMPEDANCE	8Ω	8Ω	8Ω
POWER HANDLING	30W (direct mode)	60W (direct mode)	60W (direct mode)
POWER TAP			
70V	1.25, 2.5, 5, 10W	1.25, 2.5, 5, 10W	1.25, 2.5, 5, 10W
100V	2.5, 5, 10, 20W	2.5, 5, 10, 20W	2.5, 5, 10, 20W
OUTER DIAMETER	171mm	237mm	280mm
CUT-OUT DIAMETER	141mm	203mm	248mm
COLOUR	White	White	White
GROSS WEIGHT	1kg	2.2kg	2.8kg

NOTE: Due to continuous improvements, all specifications are subject to change

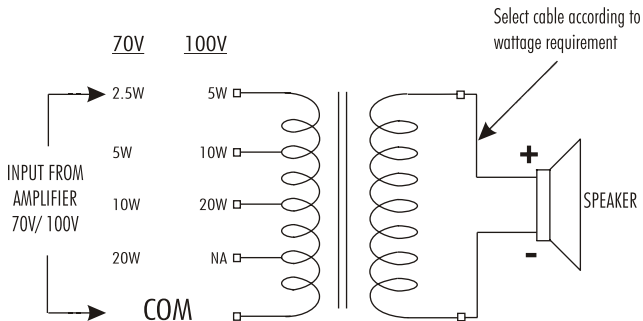
SONODYNE

SIC 1240/1260/1280

in-ceiling speakers • owners manual



SCHEMATIC

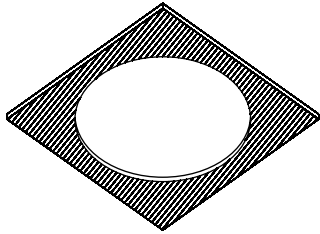


SONODYNE

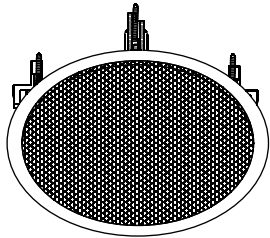
SONODYNE, India • H.O.: 98 NB Block E New Alipore, Kolkata 700053

MOUNTING

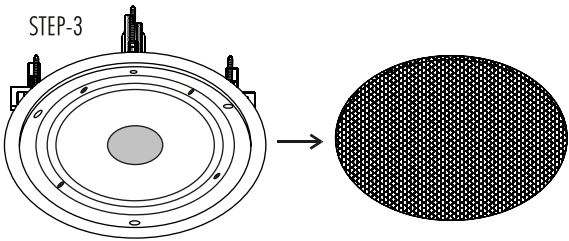
STEP-1



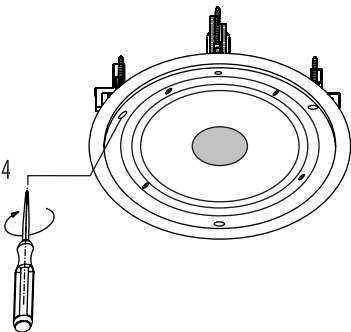
STEP-2



STEP-3

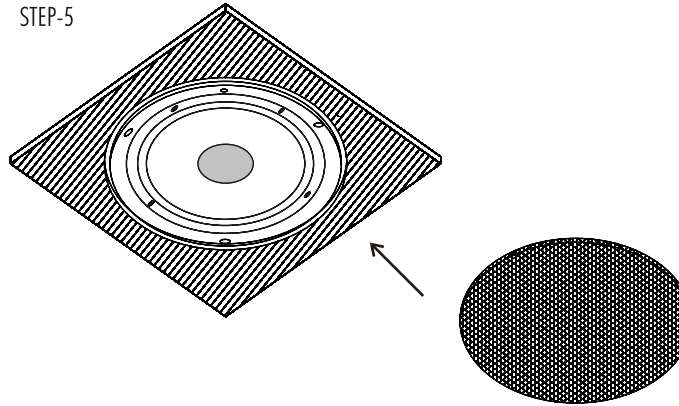


STEP-4



MOUNTING

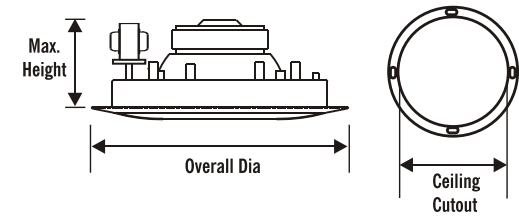
STEP-5



Follow the steps given below for mounting the SIC Series ceiling speakers:

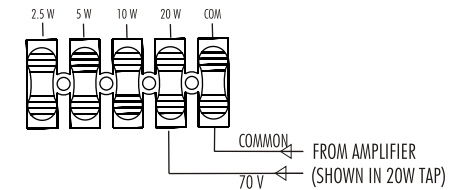
- STEP 1** Make a cut-out in the ceiling or the surface where the SIC series ceiling speaker is to be installed, as per Fig1. Make sure there is enough room for the height inside the false ceiling.
- STEP 2** Make the necessary connections to the SIC series Refer to Fig-2)
- STEP 3** Remove the grill of the speaker with the help of the grill opener provided
- STEP 4** Holding the speaker with the magnet facing upward (make sure you do not touch the drive unit) slide it through the ceiling cut-out so that the plastic frame comes to rest against the ceiling. Now tighten the 4 adjusting screws one by one. Tightening the screws will pull the dog-ears towards the ceiling till it makes firm contact. While sliding the speaker through the cut-out, make sure the dog-ears are not projecting outwards)
Warning: Do not over-tighten the screws. Care must be taken while tightening so that the drive unit does not get damaged.
- STEP 5** Fit the grill back in to the speaker

CUT-OUT & CONNECTIONS



MODEL	CEILING CUT-OUT (DIA)	MAX HEIGHT	OVERALL DIA
SIC 1240	141mm	115mm	171mm
SIC 1260	203mm	86mm	237mm
SIC 1280	248mm	125mm	280mm

FIG. 1



RED	YELLOW	GREEN	WHITE	BLACK	
20 W	10 W	5 W	2.5 W	COM	70 V
N.C.	20 W	10 W	5 W	COM	100 V

There are 5 push type terminals. Connect the wires from 70V terminal of amplifier to COM and any 4 of the specified wattage taps. Please take care to observe correct polarity. Please note that if you connect to the 100V terminal of the amplifier, you will get double the wattage as shown in the sticker. However, you cannot connect the 100V line to the highest tap as this will exceed the maximum wattage of the transformer.