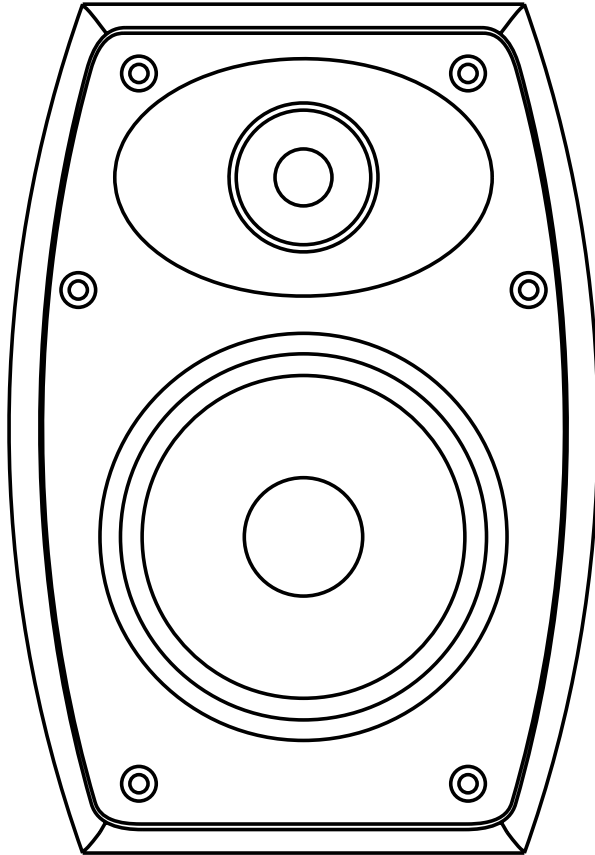


SONODYNE

SOW SERIES

SOW 6140/6150/6160
installation speakers • owners manual



MADE IN INDIA
since 1970

INTRODUCTION

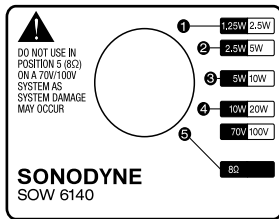
The SOW Series consists of 3 models of IP65 rated 2 way wall mount speakers for both indoor and outdoor applications. These feature wide frequency response, high SPL and come fitted with a tap selector at the back for selecting 4 different power taps. There is also a direct or low impedance tap for selecting the 8Ω output of amplifiers. Aluminium grille and brackets with powder coating ensure weather protection. Specially designed brackets allow for both pan and tilt. Push-type binding posts placed in a pocket on the rear allow easy connection. The pocket has a snap-fit cover to prevent dust and water ingress.

INSTALLATION - WIRING

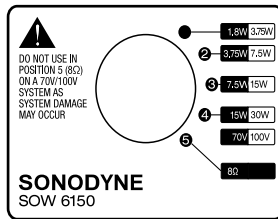
Make necessary connections at the back through the push-type binding posts which accept bare wires. Set the power tap selector position depending upon whether you have connected the 70V or 100V output of your amplifier and the power level at which you wish to operate. If you have connected the 8Ω output of your amplifier, keep the power tap selector switch in 8Ω position. For further details, please see Fig.1 and 2.

FIG. 1: POWER TAPS

SOW 6140



SOW 6150



SOW 6160

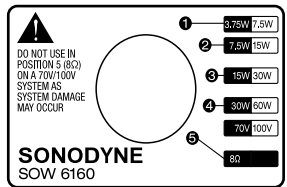
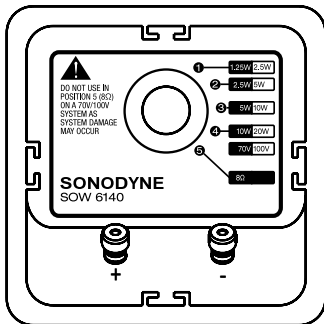


FIG. 2: SPEAKER TERMINALS



OPERATION

FIG. 1 shows the power tap selector switch. If you intend to use the speaker as a low impedance unit, set the switch to position 5.

DO NOT CONNECT TO A 70V/100V SYSTEM WITH THE SWITCH AT POSITION 5. Speaker damage may occur. For transformer operation connect the 70V/100V output of the amplifier to the positive terminal, and the COM output to the negative terminal. Ensure switch is initially at position 1, the lowest power setting. After you have checked all the connections, apply signal to amplifier and select tap and volume as required. The ratings are shown under SPECIFICATIONS

INSTALLATION - MOUNTING

INSTALLATION - MOUNTING

Slide the bracket over the speaker and tighten the clamping knobs on top and bottom, in the desired horizontal angle. Note that there are detents on the bracket and cabinet which allow you to lock into a particular horizontal angle and prevents the speaker from turning. The bracket consists of several mounting holes on the vertical face, which, when used with the plastic wall mount piece, allow the speaker to be tilted vertically. Please see Fig. 3. The hole positions corresponding to tilt angle are given in the chart.

FIG. 3: REAR VIEW OF THE WALL BRACKET

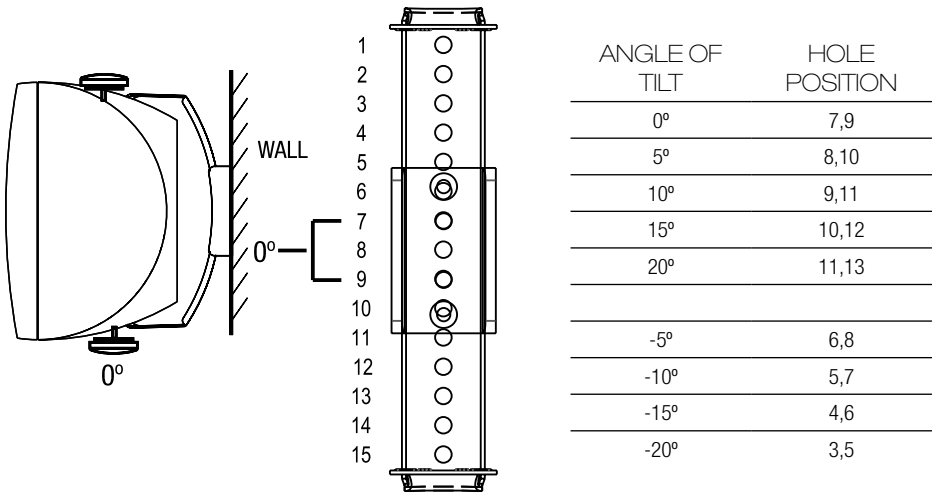
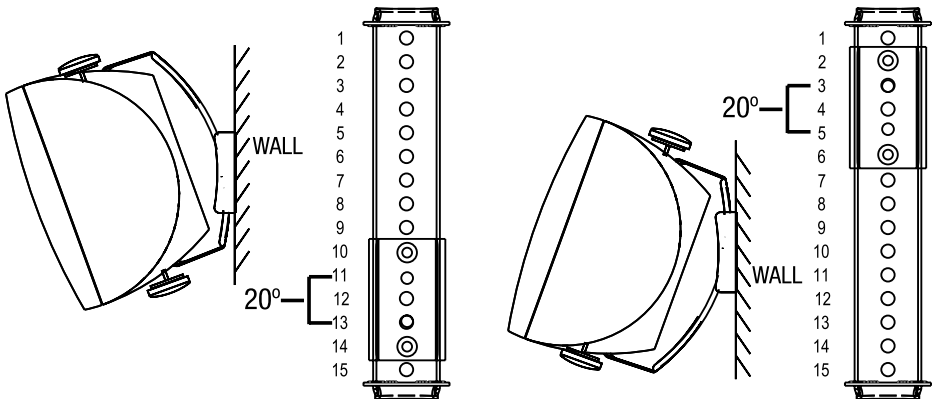


FIG. 4: MOUNTING ARRANGEMENT



SPECIFICATIONS


	SOW 6140	SOW 6150	SOW 6160
SYSTEM	Passive 2 way bass reflex	Passive 2 way bass reflex	Passive 2 way bass reflex
TRANSDUCER COMPLEMENTS	HF: 1 x 1" dome tweeter LF: 1 x 4" woofer	HF: 1 x 1" dome tweeter LF: 1 x 5" woofer	HF: 1 x 1" dome tweeter LF: 1 x 6" woofer
FREQ. RESPONSE	90Hz ~ 20kHz, ± 6 dB	80Hz ~ 20kHz, ± 6 dB	60Hz ~ 20kHz, ± 6 dB
POWER HANDLING	40W (direct mode)	60W (direct mode)	80W (direct mode)
POWER TAPS 100V 70V	2.5W, 5W, 10W, 20W 1.25W, 2.5W, 5W, 10W	3.75W, 7.5W, 15W, 30W 1.77W, 3.75W, 7.5W, 15W	7.5W, 15W, 30W, 60W 3.75W, 7.5W, 15W, 30W
NOM. IMPEDANCE	8 Ω	8 Ω	8 Ω
SENSITIVITY 1W/1M	86dB (half space)	88dB (half space)	90dB (half space)
MAX SPL	102dB (direct mode)	105dB (direct mode)	109dB (direct mode)
GRILL	Aluminium mesh powder coated	Aluminium mesh powder coated	Aluminium mesh powder coated
ENCLOSURE	Polypropylene	Polypropylene	Polypropylene
INPUT	Push type terminal, colour coded	Push type terminal, colour coded	Push type terminal, colour coded
IP RATING	IP65	IP65	IP65
PRODUCT DIM. (WITHOUT BRACKET) WxHxD	136mm x 196mm x 131mm	176mm x 252mm x 148mm	200mm x 303mm x 181mm
NET WEIGHT	1.7kg	2.3kg	2.8kg
MOUNTING	Pan and tilt wall-mounting bracket	Pan and tilt wall-mounting bracket	Pan and tilt wall-mounting bracket
COLOURS	White, black	White, black	White, black
SHIPPING DIM. WxHxD	212mm x 250mm x 232mm	252mm x 305mm x 262mm	272mm x 355mm x 317mm
GROSS WEIGHT	2.25kg	3.4kg	4.2kg


NOTE: Due to continuous improvements, all specifications are subject to change

SONODYNE


SONODYNE, India • H.O.: 98 NB Block E New Alipore, Kolkata 700053

 sonodyneofficial

 +91 9830855260

 SonodyneMusic

 response@sonodyne.com

 sonodyneofficial

 www.sonodyne.com