

**SONODYNE®**

# SPS SERIES

Pendant Speakers • Owners Manual



# IMPORTANT SAFETY INSTRUCTIONS

Thank you for choosing SPS Series pendant speaker. Please read this manual carefully as it contains important and helpful information to get the most out of your new product.



TO REDUCE THE RISK OF FIRE OR ELECTRIC SHOCK, DO NOT EXPOSE THIS EQUIPMENT TO RAIN OR MOISTURE.

Apparatus should not be exposed to dripping or splashing and no object filled with liquids, such as vases should be placed on the apparatus.



The lightning flash with an arrowhead symbol, with an equilateral triangle, is intended to alert the user to the presence of uninsulated 'dangerous voltage' within the product's enclosure that may be of sufficient magnitude to constitute a risk of electric shock to human beings



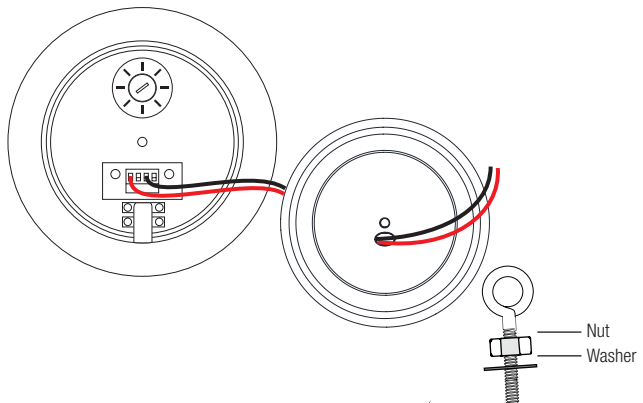
The exclamation mark within an equilateral triangle is intended to alert the user to the presence of important operating and maintenance (servicing) instructions in the literature accompanying the appliance

## SET-UP & OPERATION

The SPS Series products are designed to be hung from the ceiling. A safety cable should be used when installing the speakers to avoid personal injury and damage to the speaker.

1. Select the required power tap setting for your application with the 6 position rotary switch
2. Slip on the top cover and fasten the provided eye hook, nut and washer to the top cover and speaker as illustrated below.
3. At each speaker location, route the speaker cable(s) hanging from the ceiling area through the top cover, and dress the cables to the wire rope using plastic cable ties. Slide the speaker cables through the supplied back cover. Strip the ends to 1/8" to 3/16".
4. Connect the wires from the amplifier to the supplied terminal block, using the IN terminals: red to + and black to -. Please refer to the following sketches for examples of various types of applications.
5. Attach the safety cable to the speaker.

When using the bracket for wall mount, be sure to use the appropriate hardware to securely attach the speaker.



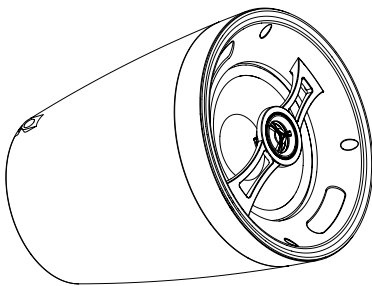
## INTRODUCTION

The SPS Series is a range of pendant speakers designed for high ceilings and open space environments. It features a PP cone woofer and a ¾" inch silk dome tweeter. The SPS 1040 uses a 4" woofer, the SPS 1050 uses a 5" woofer and the SPS 1060 uses a 6" woofer. An aluminium grill makes it rust-proof. A UV resistant polypropylene enclosure makes it ideal for outdoor applications as well. The SPS Series also comes with a built in 6 position rotary switch for power tap selection.

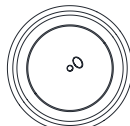
## FEATURES

- Wide opening angle
- Ceiling suspension or floor, wall mount (optional)
- High-quality polypropylene enclosure
- Provides premium performance for demanding applications. Suitable for bars, restaurants, retail, education, public facilities, corporate spaces, sports facilities

The SPS Series comes packed in a cardboard box. Following are the contents of the box



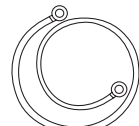
Speaker



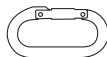
Top cover



Carabiner & Nut



Hanging Cable



Hook x 2

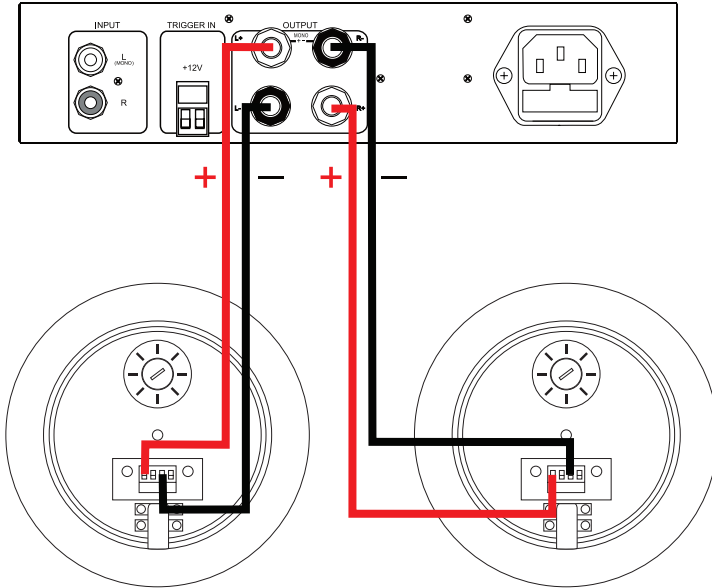


Screws x 2



Owners Manual

# INSTALLATION



When installing multiple rows of speakers, we strongly recommend doing multiple wire runs, one run per row. We do not recommend doing a single wire run

## SPEAKER WIRE GUIDE

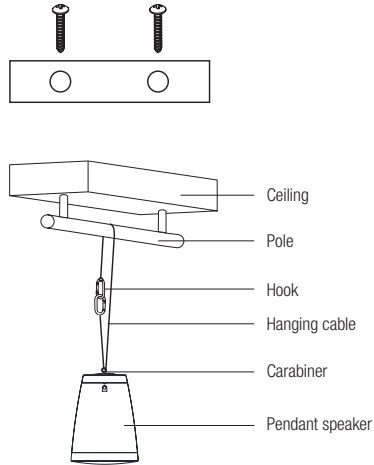
- 18AWG minimum - for distances up to 10 ft
- 16AWG - from 10 ~ 50 ft
- 14AWG - from 50 ~ 100 ft

# MOUNTING

## CEILING MOUNT

Use the hanging kit supplied with the unit, to hang the speaker, as shown in the sketch below

Make sure the speaker is properly secured to the ceiling / building's structure. Please use the proper screws, bolts, or anchors (no included). Failure to do so may cause the speaker to become unsecured & cause potential damages / injuries

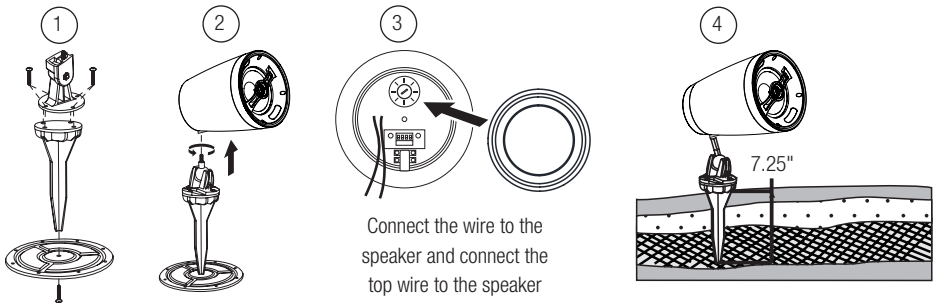


## WALL MOUNT

Use the wall mount bracket (sold separately – SPS WB), to mount the speaker to the wall.

## GROUND MOUNTING

Use the wall mount bracket (sold separately – SPS WB), to mount the speaker to the wall.



# SPECIFICATIONS

	SPS 1040	SPS 1050	SPS 1060
DESCRIPTION	Pendant speaker	Pendant speaker	Pendant speaker
SYSTEM	Passive 2 way bass reflex	Passive 2 way bass reflex	Passive 2 way bass reflex
TRANSDUCER COMPLEMENTS	1 x 4" woofer, 1 x 3/4" dome tweeter	1 x 5" woofer, 1 x 1" dome tweeter	1 x 6.5" woofer, 1 x 1" dome tweeter
FREQUENCY RESPONSE	80Hz ~ 20kHz, ±6dB	65Hz ~ 20kHz, ±6dB	50Hz ~ 20kHz, ±6dB
POWER HANDLING	40W (direct mode)	50W 40W (direct mode)	60W 40W (direct mode)
POWER TAPS: 100V 70V	2.5W, 5W, 10W, 20W 1.25W, 2.5W, 5W, 10W	3.75W, 7.5W, 15W, 30W 1.77W, 3.75W, 7.5W, 15W	5W, 10W, 20W, 40W 2.5W, 5W, 10W, 20W
NOMINAL IMPEDANCE	8Ω	8Ω	8Ω
SENSITIVITY 1W/1M	83dB	85dB	88dB
MAX SPL DIRECT MODE	100dB	103dB	106dB
GRILL	Aluminium mesh powder coated	Aluminium mesh powder coated	Aluminium mesh powder coated
ENCLOSURE MATERIAL	PP	PP	PP
INPUT	Pluggable terminal block	Pluggable terminal block	Pluggable terminal block
IP RATING	IP65	IP65	IP65
DIMENSIONS DIA X HEIGHT	155mm x 215mm	190mm x 250mm	230mm x 300mm
NET WEIGHT	1.9kg	2.55kg	3.45kg
MOUNTING ACCESSORY	Wire rope for hanging, wall-mount bracket, floor-mount bracket	Wire rope for hanging, wall-mount bracket, floor-mount bracket	Wire rope for hanging, wall-mount bracket, floor-mount bracket
COLOUR	Black and white	Black and white	Black and white
PACKING	Singles	Singles	Singles
SHIPPING DIMENSIONS WxHxD	250mm x 390mm x 250mm	252mm x 305mm x 262mm	272mm x 355mm x 317mm
GROSS WEIGHT	2.65kg	3.25kg	3.95kg

NOTE: Due to continuous improvements, all specifications are subject to change



Register your product  
to activate your warranty:  
<https://sonodyne.com/registerproduct>




Upload a picture or video of your Sonodyne  
product or write about your Sonodyne  
experience.  
<https://sonodyne.com/review>

If you have anything less than a 5 star experience,  
please contact us at [response@sonodyne.com](mailto:response@sonodyne.com)  
and we will make it right

# SONODYNE<sup>®</sup>

SONODYNE, India • H.O.: 98 NB Block E New Alipore, Kolkata 700053

 sonodyneofficial

 +91 9830855260

 sonodyneofficial

 [response@sonodyne.com](mailto:response@sonodyne.com)

 [www.sonodyne.com](http://www.sonodyne.com)