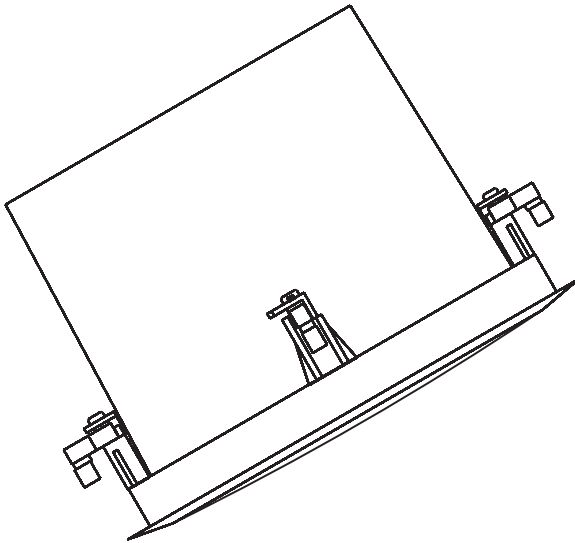


SONODYNE

SSW 3010

in-ceiling subwoofer • owners manual



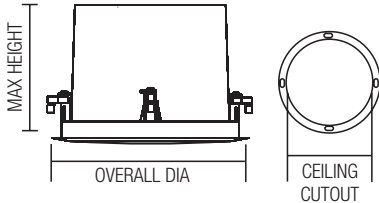
CUT-OUT & CONNECTIONS • OPERATING INSTRUCTIONS

CUT-OUT & CONNECTIONS

STEP 1.

Make a cut-out in the ceiling or the surface where the SSW 3010 ceiling subwoofer is to be installed, as per Fig 1. Make sure there is enough room for the height inside the false ceiling.

FIG. 1

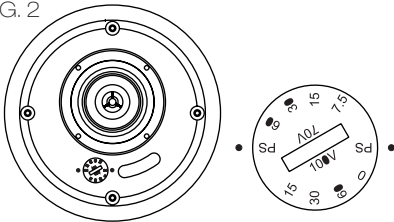


MODEL	SSW 3010
CEILING CUT-OUT (DIA)	274.0mm
MAX. HEIGHT	205.0mm
OVERALL DIA	300.0mm

STEP 2.

Make the connections to the SSW 3010 as follows (Refer to Fig-3b). There are two Euroblock terminals at the rear (one is the input terminal and the other is the output terminal). For high impedance operation (70V/100V), connect the wires from 70V/100V terminal of amplifier to + and - (left input) terminal of the SSW 3010. Please take care to observe correct polarity. Please note that if you connect to the 100V terminal of the amplifier, you will get double the wattage as shown on the rotary switch marking. However, you cannot operate the 100V line at the highest tap as this will exceed the maximum wattage of the transformer. Tap selection: (Refer to fig 2) To select, rotate the required tap to coincide with the pointer. To select 70V taps, follow 70V side of the rotary switch. To select 100V taps, follow 100V side of the rotary switch. To select direct (low impedance) mode, set the rotary switch to "PS" position.

FIG. 2



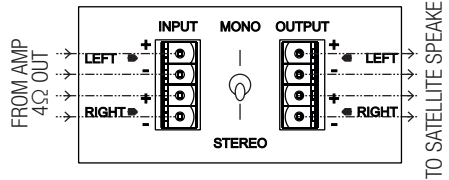
OPERATING INSTRUCTIONS

MODES OF OPERATION:

STEREO MODE

Make the connections as shown in Fig 3a. Set the toggle switch to "Stereo" position. Set the rotary switch to "PS" position (low impedance mode). In stereo mode left and right inputs of the SSW 3010 presents amplifier channels with 4Ω loads (each voice coil of driver is connected directly to the input terminals). Satellite speakers of 4Ω impedance rating can be connected to left and right outputs.

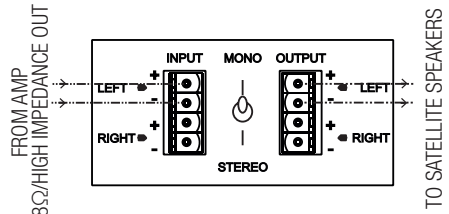
FIG. 3a



MONO/HIGH IMPEDANCE (70V/100V) MODE

Make the connections as shown in Fig 3b. Set the toggle switch to "Mono" position. To use mono in low impedance mode (direct), set the rotary switch to "PS" position (low impedance mode). Here, the "Left" input of SSW 3010 presents the amplifier with a 8Ω load (voice coils of driver are wired in series). To use mono in high impedance mode (70V/100V), rotate the rotary switch to select the required tap (do not use "PS" (direct) setting with a high impedance input). Satellite speaker of 8Ω impedance rating can be connected to "Left" output. Please note that the "Right" input and "Right" output should not be used. Failure to do so might damage the amplifier and speaker. Please note that while operating the SSW 3010 in high impedance mode (70V/100V), the toggle switch should be set to "Mono" position.

FIG. 3b

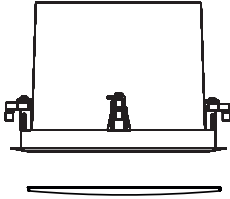


MOUNTING INSTRUCTIONS • IMPEDANCE • SCHEMATIC

MOUNTING INSTRUCTIONS

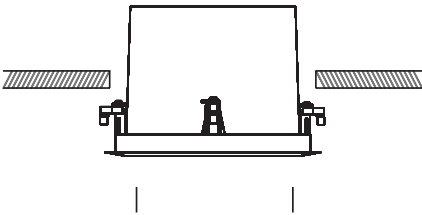
STEP 1.

Remove the grill of the speaker with the help of the grill opener provided



STEP 2.

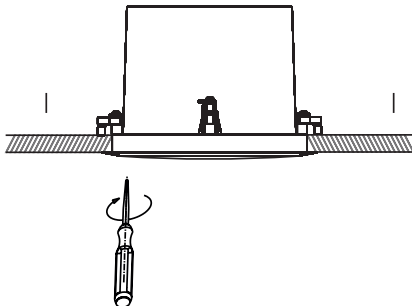
Holding the speaker with the back-can facing upward (make sure you do not touch the drive unit) slide it through the ceiling cut-out so that the plastic frame comes to rest against the ceiling.



STEP 3.

Tighten the 4 adjusting screws one by one. (Tightening the screws will pull the dog-ears towards the ceiling till it makes firm contact. While sliding the speaker through the cut-out, make sure the dog-ears are not projecting outwards). Fit the grill back in to the speaker

WARNING: Do not over-tighten the screws. Care must be taken while tightening so that the drive unit does not get damaged.



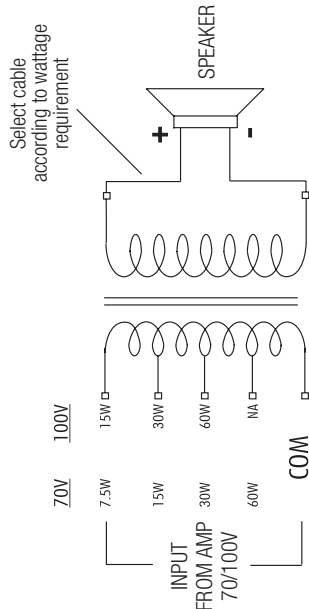
IMPEDANCE

IMPEDANCE TABLE OF SSW 3010

WATT	100V	70V
60W	NA	82Ω
30W	333Ω	163Ω
15W	667Ω	327Ω
7.5W	1.33kΩ	653Ω

NOTE: The combined impedance of the system should not fall below the above specified IMPEDANCE rating

SCHEMATIC



SPECIFICATIONS


DESCRIPTION	Stereo in-ceiling sub woofer with high pass output
TRANSDUCER	1 x 6" dual coil sub woofer
FREQUENCY RANGE (-10dB)	50Hz ~ 150Hz
FREQUENCY RESPONSE (-3dB)	55Hz ~ 150Hz
SPL (1W/1M)	90dB
SPL AT RATED POWER 60W	108dB
NOMINAL IMPEDANCE	4Ω + 4Ω (Stereo mode) 8Ω (Mono mode)
POWER HANDLING direct mode	100W + 100W (direct, stereo)
POWER TAP 70V	7.5W, 15W, 30W, 60W (mono)
POWER TAP 100V	15W, 30W, 60W, NA (mono)
OUTER DIAMETER x DEPTH mm	300 x 205
CUT-OUT DIAMETER mm	274
COLOUR	White/Black
GROSS WEIGHT	5.3kg

NOTE: Due to continuous improvements, all specifications are subject to change

SONODYNE

SONODYNE, India • H.O.: 98 NB Block E New Alipore, Kolkata 700053

 sonodyneofficial

 +91 9830855260

 SonodyneMusic

 response@sonodyne.com

 sonodyneofficial

 www.sonodyne.com