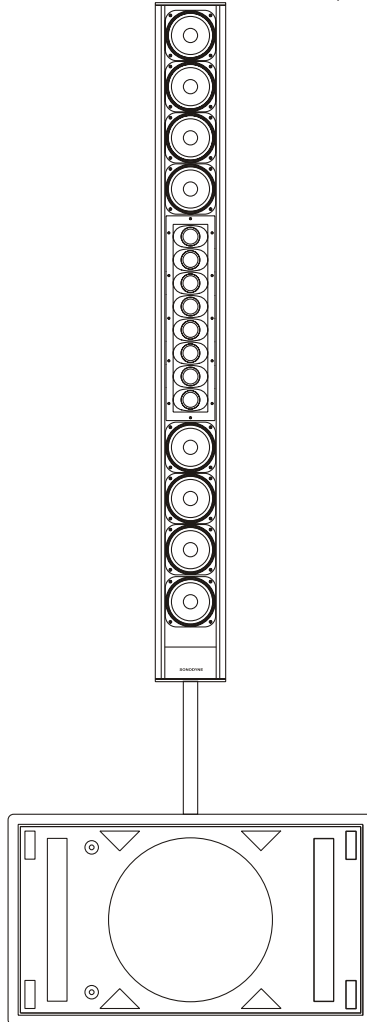


SONODYNE

A-LIGN 400S A-LIGN 800AS

monopole line array speaker • owners manual



MADE IN INDIA
since 1970

IMPORTANT SAFETY INFORMATION

EXPLANATION OF GRAPHICAL SYMBOLS



The lightning flash with arrowhead symbol within an equilateral triangle is intended to alert the user to the presence of un-insulated "dangerous voltage" within the product's enclosure that may be of sufficient magnitude to constitute a risk of electric shock to persons



The exclamation point within an equilateral triangle is intended to alert the user to the presence of important operating and maintenance (servicing) instructions in the literature accompanying the product

This operation manual contains important information regarding safety precautions, installation, performance, operation and maintenance of your A-Lign monopole line array speaker. You should familiarize yourself with the contents of this manual before operating your A-Lign.

1. Save the carton and packing material even if the equipment has arrived in good condition. Should you ever need to ship the unit, use only the original factory packing.
2. Read all documentation before operating your equipment. Retain all documentation for future reference.
3. Follow all instructions printed on unit chassis for proper operation.
4. Do not spill water or other liquids into or on the unit, or operate the unit while standing in liquid.
5. Make sure power outlets conform to the power requirements listed on the back of the unit.
6. Do not use the unit if the electrical power cord is frayed or broken. The power supply cords should be routed so that they are not likely to be walked on or pinched by items placed upon or against them, paying particular attention to cords and plugs, convenience receptacles, and the point where they exit from the appliance.
7. Always operate the unit with the AC ground wire connected to the electrical system ground. Precautions should be taken so that the means of grounding of a piece of equipment is not defeated.
8. Mains voltage must be correct and the same as that printed on the rear of the unit. Damage caused by connection to improper AC voltage is not covered by any warranty.
9. Have gain controls on amplifier turned down during power-up to prevent speaker damage if there are high signal levels at the inputs.
10. Power down & disconnect units from mains voltage before making connections.
11. Never hold a power switch in the "ON" position if it won't stay there itself!
12. Do not use the unit near stoves, heat registers, radiators, or other heat producing devices.

INTRODUCTION

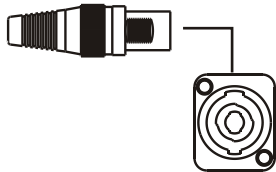
Congratulations on your purchase of the A-Lign. As you are aware, this is a unique monopole line array speaker that can be used for both install and professional (live) applications. However, it is important that you carefully read this operations manual so that you may utilize this product most effectively and safely. Your A-Lign should contain the following:

- 1 x monopole line array speaker (A-Lign 400S)
- 1 x bi-amplified subwoofer (A-Lign 800 AS)
- 1 x power cord (A-Lign 800 AS)
- Owners manual

USING THE A-LIGN AS A STAND ALONE PASSIVE SPEAKER

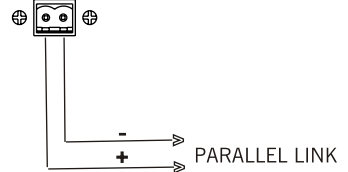
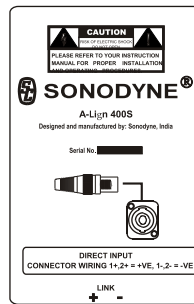
Connect to the low impedance (4Ω) direct input. The twist-lock connector pin configuration is shown in Fig. 1

FIG. 1



**DIRECT INPUT
CONNECTOR WIRING 1+,2+ = +VE, 1-,2- = -VE**

FIG. 2



To connect another A-Lign 400 AS, you may use the 'LINK' function (Fig. 2). However, do note that each A-Lign 400 AS is rated at 4Ω , paralleling two such speakers will present a 2Ω load to the amplifier.

Please note that due to protection of both speaker and amplifier, we recommend that you use the A-Lign SC controller. This controller houses the needed equalization and protection needed for optimum performance of the A-Lign 400S (EQ, LF cut etc.)

USING THE A-LIGN IN CONJUNCTION WITH A-LIGN 800AS AS BIAMPLIFIED SUBWOOFER

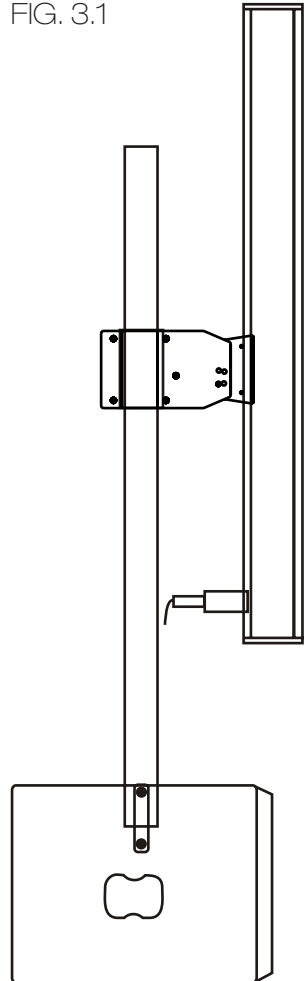
This combination will get you great results in both recorded and live performances

FIG. 3.1

To set-up the A-Lign 400S atop the 800 AS in a single pole mount, please refer to Fig. 3.1

- STEP 1 Attach the pole adapter to the speaker
- STEP 2 Slip the assembled pole and adapter through the pole and tighten all screws.
- STEP 3 Your final assembly should look as in Fig. 3.1

To adjust angles, please refer to Fig. 7.2 on page 8



To operate the system:

- On the A-Lign 800 AS:
 - Set the 'Level' and 'Sub' at 0dB position
 - Leave the phase at 0° (please refer to Fig 6)
- Increase mixer out levels till the desired SPL (loudness) is achieved
- If you need to adjust gain on the system, please adjust using the 'GAIN'
- If you need to adjust the 800AS level, please set the 'SUB' accordingly
- In some rooms you may experience pockets of low bass due to LF cancellations. By switching the 'PHASE' on one of the 800 AS, this problem should be resolved
- There are 2 clipping indicator LEDs on the 800AS (Refer to Fig. 5). The one above indicates clipping on the 400S and the one below on the 800AS amps. When the clipping indicator is steady RED it means that the amplifiers are being over-driven. At this time, please reduce overall system gain within the safe limits to ensue safety of amplifiers and transducers

FIG. 5: FRONT VIEW

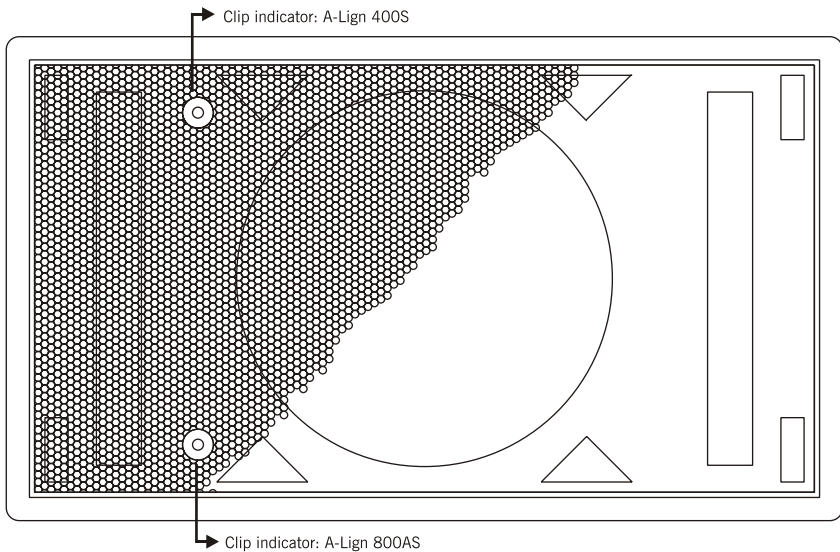
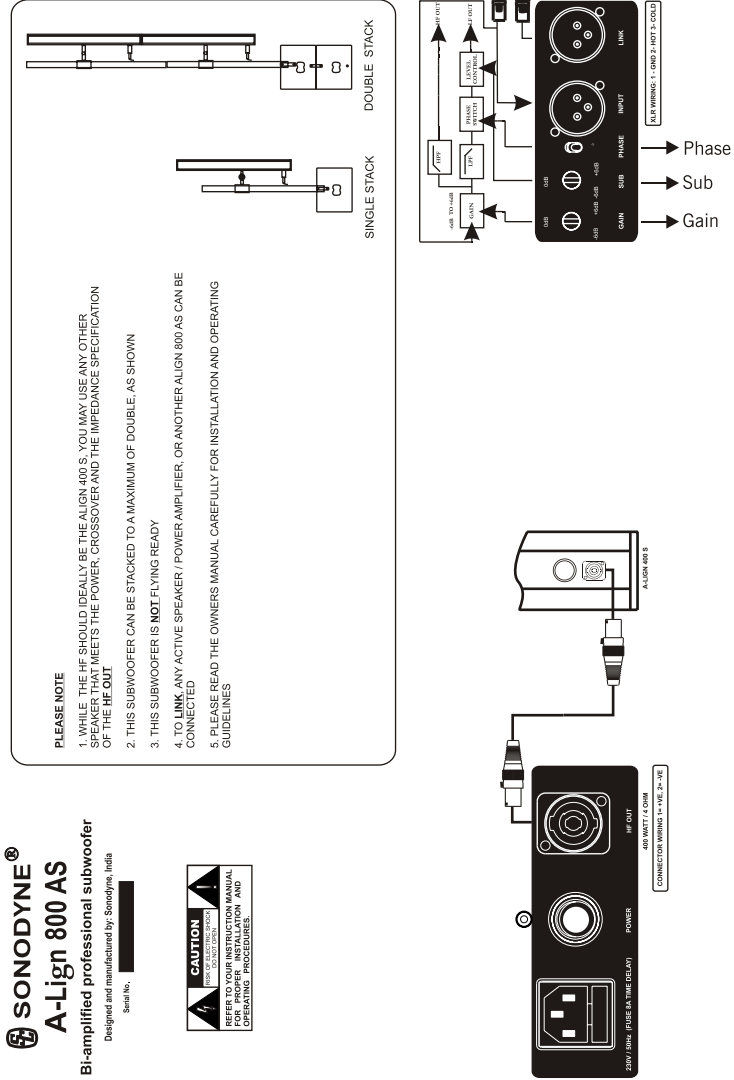


FIG. 6: REAR VIEW



WALL MOUNTING A-LIG 400S USING A400 WB

For wall mounting the A-Lign 400S using the A400 WB, please refer to Fig 7.1 and 7.2. The different angles can be subtended for wall mounting the unit as shown in the figure.

FIG. 7.1

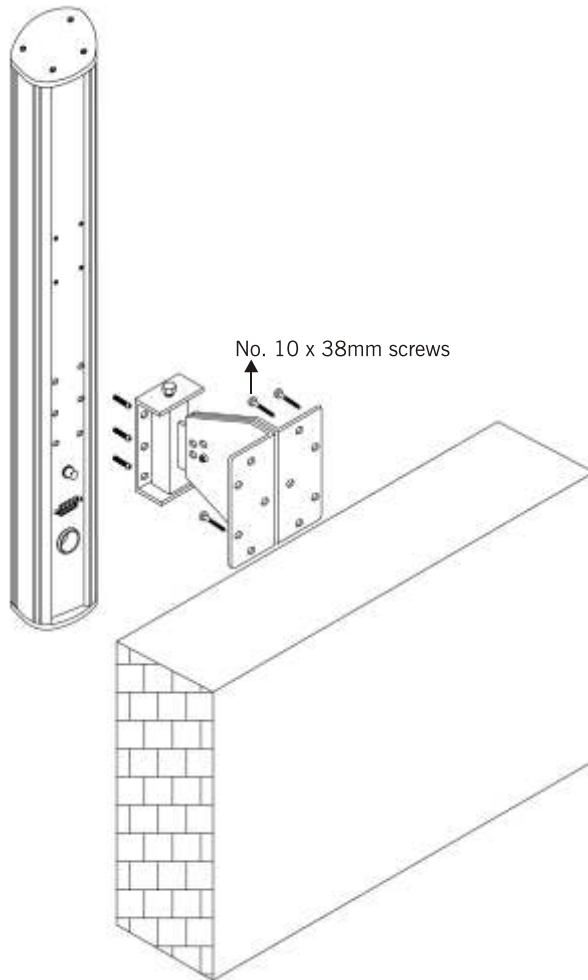
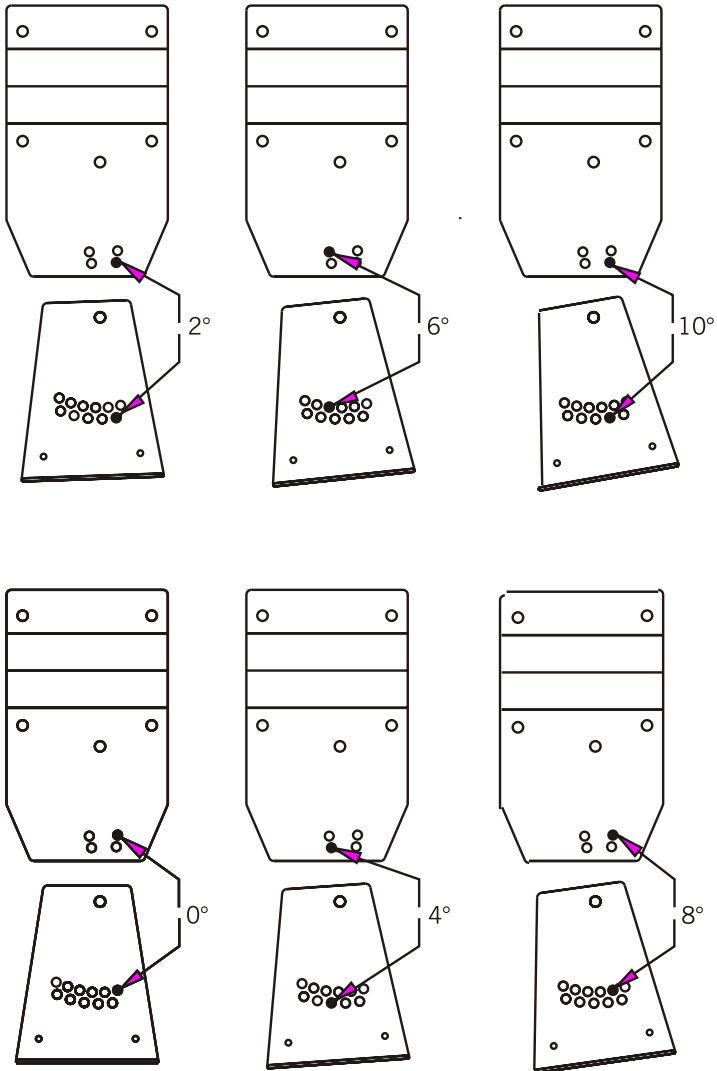


FIG. 7.2: SPLAY ANGLES



SPECIFICATIONS

A-LIGN 400S

DESCRIPTION	2 way monopole line array
ENCLOSURE	Extruded aluminium with PU paint
GRILL	Perforated nylon
TRANSDUCER COMPLEMENTS	8 x 3" PP cone woofer 8 x 1" dome tweeter
INPUT	Twist-lock connector
PARALLEL LINK	Euroblock connector
SENSITIVITY 1W/1M	94dB
NOMINAL IMPEDANCE	4Ω
CROSSOVER FREQUENCY	1.8kHz
FREQ. RESPONSE (+3dB)	180Hz ~ 20kHz
FREQUENCY RANGE (-10dB)	140Hz ~ 25kHz
COVERAGE PATTERN HxV	110° x 20°
POWER HANDLING CONTINUOUS PROGRAM	200W 400W
DIMENSIONS (HxWxD)	1194mm x 125mm x 110mm
NET WEIGHT	9.8kg
MOUNTING OPTIONS	Pole mount, wall mount

NOTE: Due to continuous improvements, all specifications are subject to change

SPECIFICATIONS

A-LIGN 800AS

DESCRIPTION	Bi-amplified subwoofer, vented
ENCLOSURE	18mm MDF with durable PU paint
GRILL	2mm perforated MS with acoustic foam
TRANSDUCER COMPLEMENTS	1 x 12" high excursion subwoofer
INPUT	Balanced XLR
OUTPUT	Balanced link: XLR, Twist Lock High Pass to A-Lign 400S
INPUT SENSITIVITY	775mV (system gain at 0dB)
PROTECTIONS	DC at amp output, Switch on/ off surge, limiter
AMPLIFIER POWER	LF: 400W/ 4Ω HF: 300W/ 4Ω
AMPLIFIER TYPE	Class D
AMPLIFIER THD	<0.5% at rated power
MAXIMUM SPL	119dB
CONTROLS	System gain, subwoofer level, phase switch
CROSSOVER	HPF To A-Lign 400S at 200Hz
USABLE LF EXTENSION	35Hz (-10dB)
DIMENSIONS (HxWxD)	390mm x 700mm x 485mm
NET WEIGHT	35kg
MOUNTING OPTIONS	Pole mount adapter

NOTE: Due to continuous improvements, all specifications are subject to change

Register your product
to activate your warranty:
<https://sonodyne.com/registerproduct>



Upload a picture or video of your Sonodyne
product or write about your Sonodyne
experience.
<https://sonodyne.com/review>



If you have anything less than a 5 star experience,
please contact us at response@sonodyne.com
and we will make it right

SONODYNE

SONODYNE, India • H.O.: 98 NB Block E New Alipore, Kolkata 700053

 sonodyneofficial

 +91 9830855260

 SonodyneMusic

 response@sonodyne.com

 sonodyneofficial

 www.sonodyne.com