

Precautions & Maintenance

- Observe correct polarity at all times
- Do not overload the controller. Use only transformer coupled speakers as load.
- DO NOT USE 4/8/16 Ohms speakers (i.e., Do not use low impedance speakers)
- Operate switch gently. This will prevent unnecessary wear and tear of delicate mechanical parts.
- To clean face plate/surround, use only mild detergent solution, and wipe with soft cloth



Sonodyne Electronics Co Pvt Ltd, 98 NB Block E New Alipore,
Kolkata 700053, INDIA Tel: +91 33 24570418, 24583406;
Fax: +91 33 24787243; E-mail: response@sonodyne.com
Please visit us at www.sonodyne.com

DeVC 1005/1015

volume controllers | owners manual



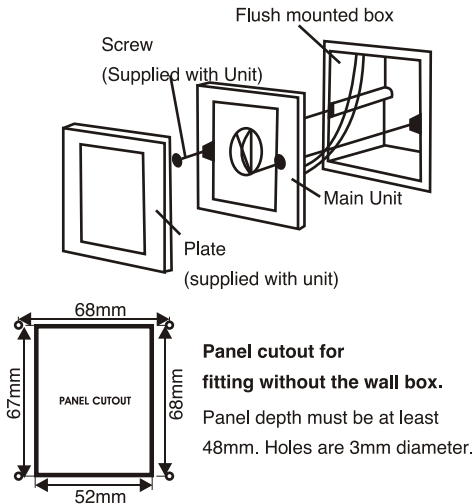
Introduction

The DeVC series of volume controllers offer excellent performance matching its superior aesthetics. To ensure uninterrupted service, we suggest you read this document carefully before using the product. There are two models in this range. DeVC 1005, which is meant for 5W speaker loads and DeVC 1015, which is meant for 15W speaker loads. So it is important that proper load estimation be done prior to using any of the models. It is perfectly possible to add multiple speakers, provided the total power rating is maintained.

Specifications

MODEL NO.	DeVC 1005	DeVC 1015
POWER HANDLING	5 Watts	15 Watts
ATTENUATION STEPS	Off, -18dB, -12dB, -5dB, 0dB	
ACCESSORIES	Screws: 2 x M3.5 (20mm)	
	1 x surround plate	

Fig. 2: Fitting to wall box



Wiring

Wiring the DeVC is easy. Use standard speaker wiring cable of adequate thickness (typically from 0.5-1.5 sq mm depending on length of run and power). The speaker load is to be connected to the miniature screw type terminals marked SP+ and SP-, on the PCB, to the rear of the controller (Fig. 1 on page 4). Ensure proper polarity is maintained. The input from the amplifier connects to the terminals marked N1 and C1. The 100V output of the amplifier connects to N1 while the COM output of the amplifier connects to C1. Set the Volume controller to OFF before wiring. Double check for shorted strands of wire and integrity of wiring. After you have satisfied yourself, you may proceed to do a performance check.

Installation

- 1) The electrical wiring has to be done first.
- 2) Remove the surrounding plate from the main unit.
- 3) Using the supplied screws, fit the controller to the wall mounted box which should have a hole to hole distance of 60mm. If not using wall box, a panel cutout of 52mm width x 67 mm height is required. The panel depth must be at least 48mm
- 4) After fitting screws, replace the surround plate. Do not apply excessive torque while tightening screws. It might crack the enclosure. Refer to Fig. 2 on page 5

Fig. 1: Connection Schematic

