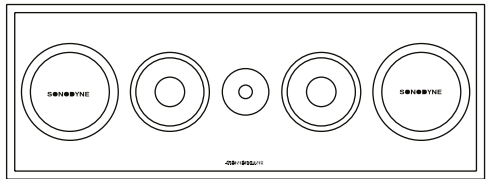
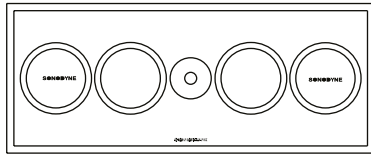
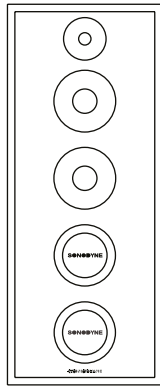
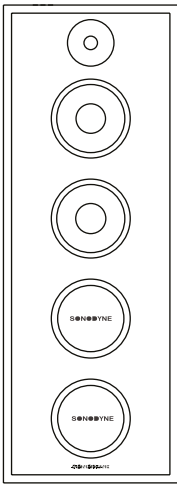


## IWO 800/900

owners manual



## INTRODUCTION

Congratulations on your purchase of your IWO series loudspeaker. The IWO Series is a break-through in loudspeaker design for the modern home, combining style and decor with amazing sound quality. Elegantly finished in satin black finish, it has a shallow profile and yet produces a full-bodied dynamic and detailed sound. It can be easily hung on your wall without looking obtrusive. What's more, you can even flush-mount on your wall using the ingenious wall-mounting kit (optional).

As far as performance is concerned, the IWO Series ticks all the right boxes - build quality, design, frequency and dynamic bandwidth, and detailing. Be it for stereo or multichannel audio, you will find a suitable solution from this range.

So go ahead and play your favourite music and movies and let your eyes and ears feast.

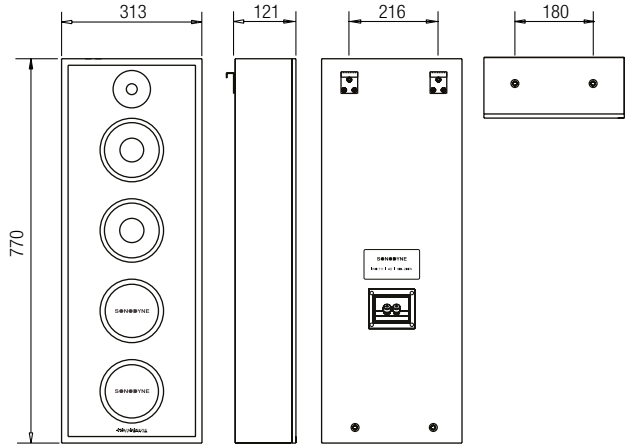
## UNPACKING

Your carton contains: 1 x loudspeaker

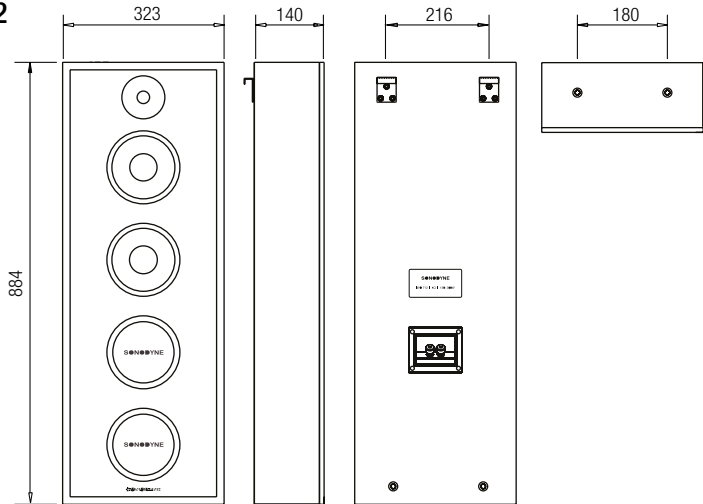
Please retain all packing materials in case you need to transport the loudspeaker. We suggest that the loudspeaker be "broken in", i.e., played for some time, so that it can quickly start performing at its best! If you do not want to do this when you are at home set your source unit, i.e., CD player on "repeat entire disc" mode. Then, allow the loudspeaker to play at moderate volume level for 6 - 8 hours.

# ● line drawings: IWO 900 Series ●

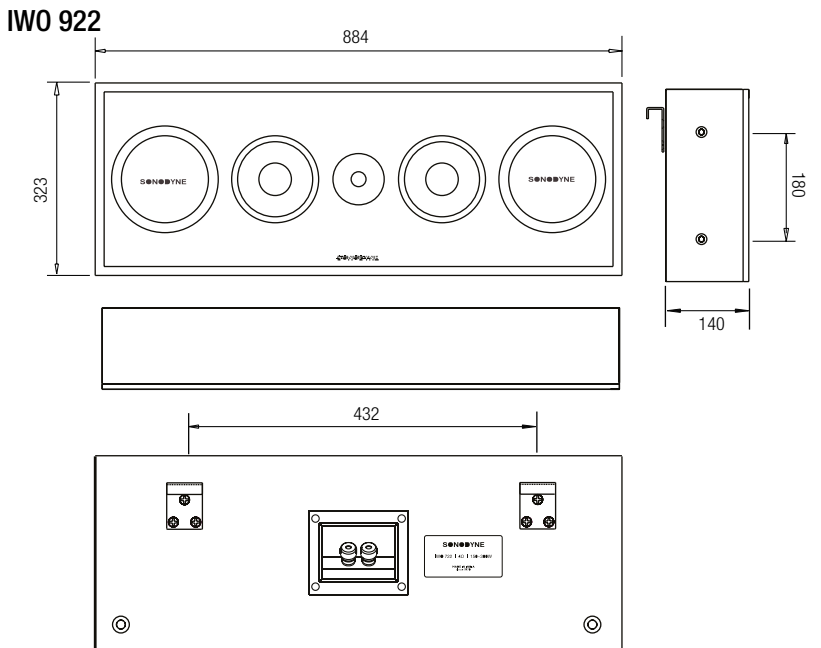
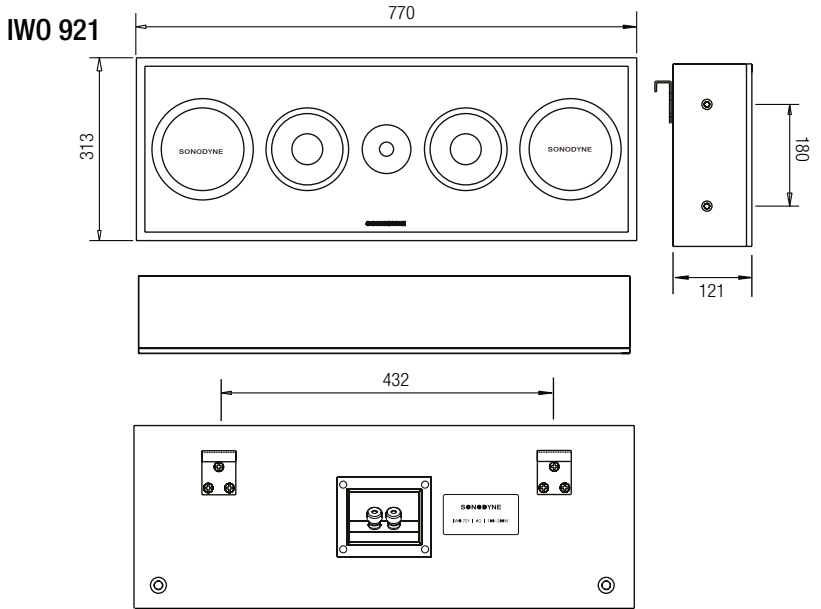
IWO 911



IWO 912

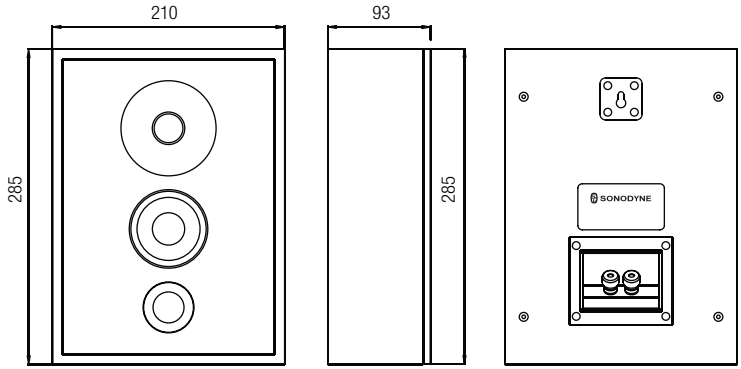


# ● line drawings: IWO 900 Series ●

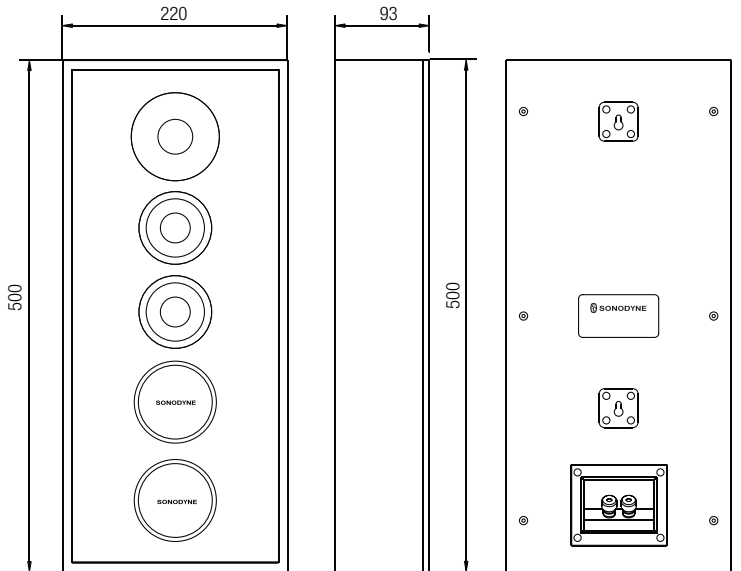


# ● line drawings: IWO 800 Series ●

IWO 801

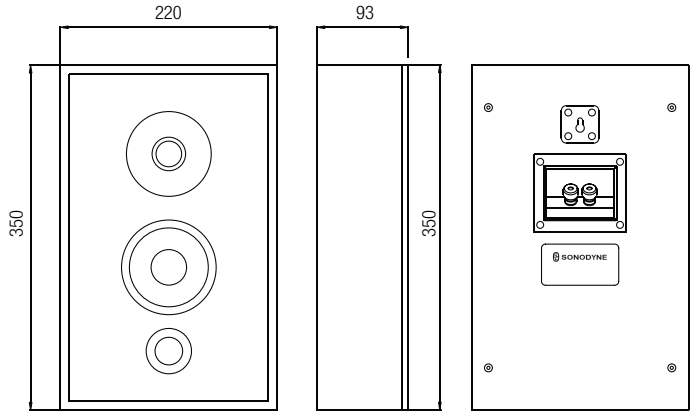


IWO 811

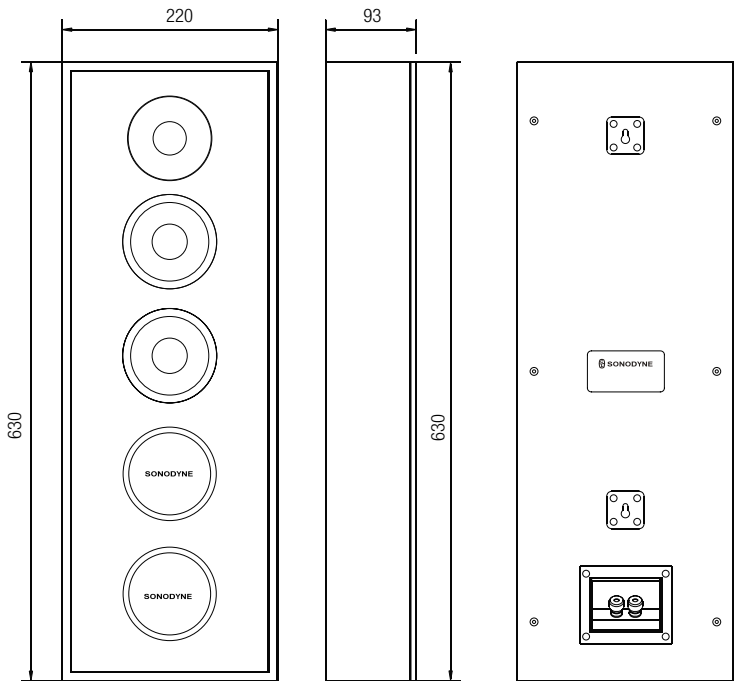


# ● line drawings: IWO 800 Series ●

IWO 802

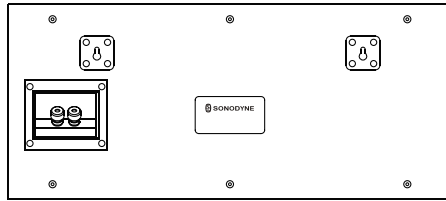
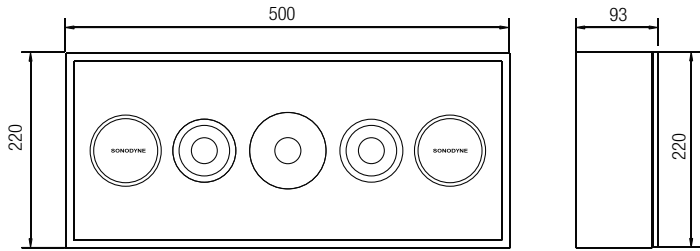


IWO 812

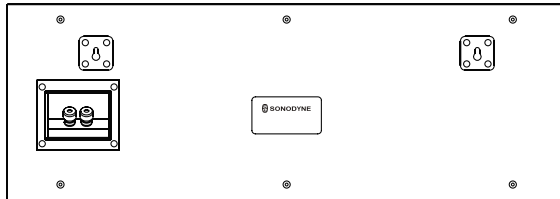
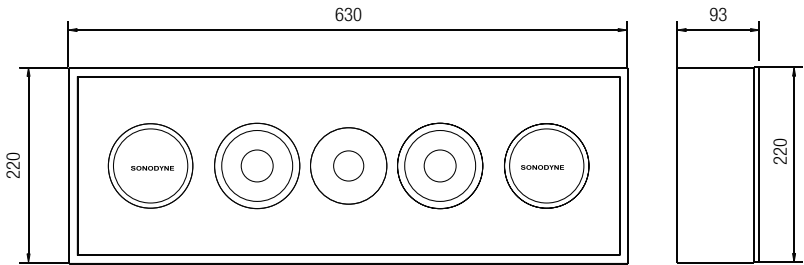


# ● line drawings: IWO 800 Series ●

IWO 821

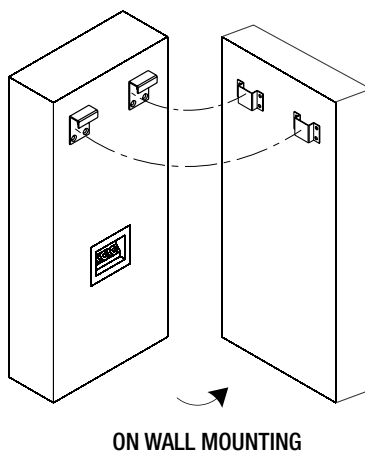
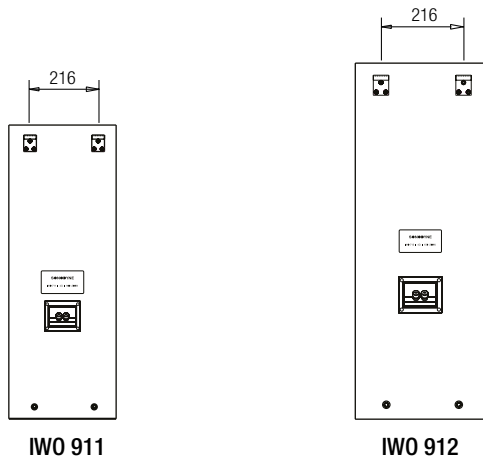


IWO 822



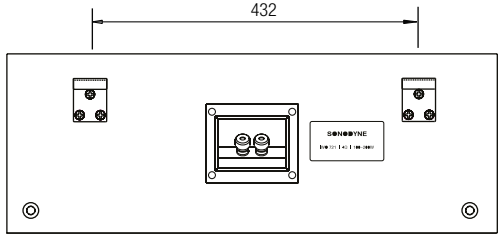
# ● on-wall mounting: IWO 900 Series ●

The IWO 900 series have 1 pair of brackets mounted on the rear. These brackets mate with another pair which are fixed to the wall as shown in the figure below. The distance between the brackets are shown in the figures below. Templates for fixing the wall-mount brackets are provided with the speakers, inside the carton.

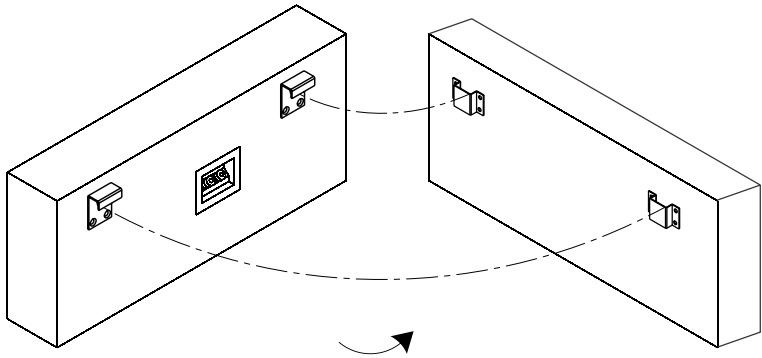
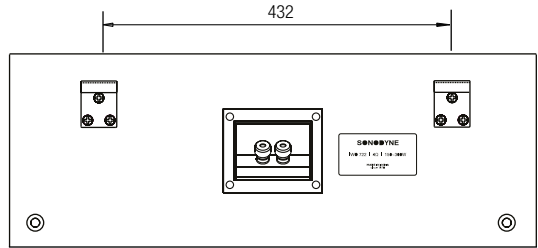


# ● on-wall mounting: IWO 900 Series ●

IWO 921



IWO 922

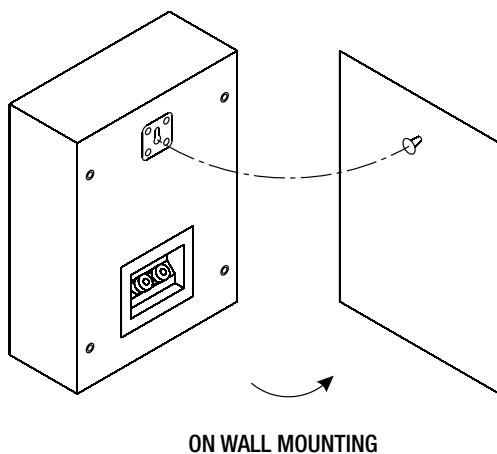
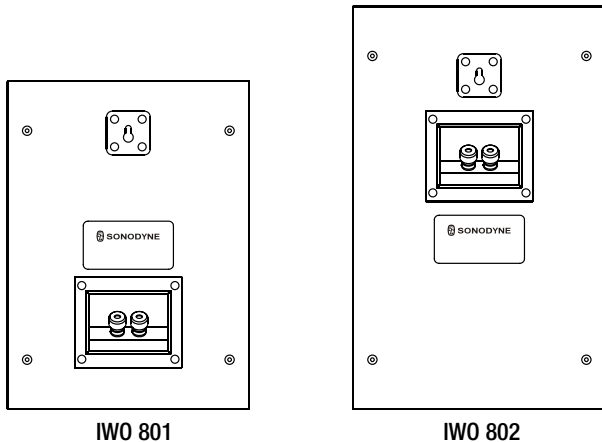


**ON WALL MOUNTING**

# ● on-wall mounting: IWO 800 Series ●

## IWO 801 and 802

The IWO 801 and 802 have a key-hole type bracket at the rear, right in the middle, near the top. You can use this to hang the speaker on the wall, like a picture frame. Please see figure below.



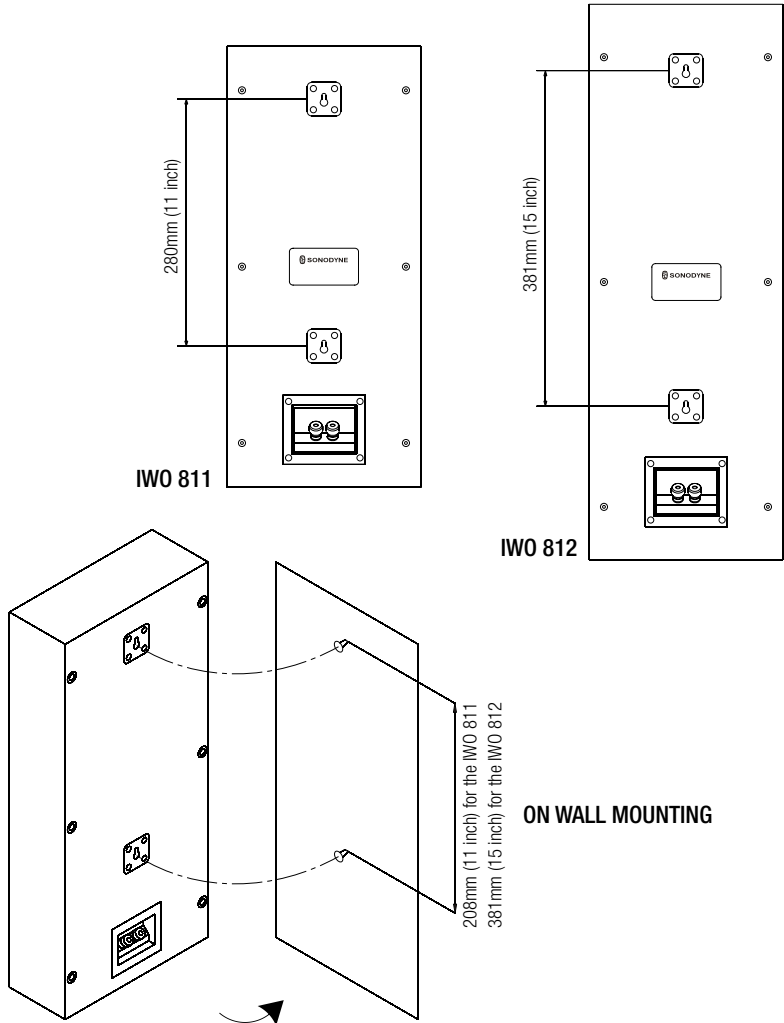
# ● on-wall mounting: IWO 800 Series ●

## IWO 811 and 812

The IWO 811 and 812 have 2 such key-hole brackets, placed vertically on the rear of the cabinet and at the horizontal center. Fix 2 screws vertically on the wall at a center distance as follows

- 280mm or 11", for the IWO 811
- 381mm or 15", for the IWO 812

Make sure that the screws lie on the same vertical plane. Hang the speaker on these 2 screws. Please see figure below



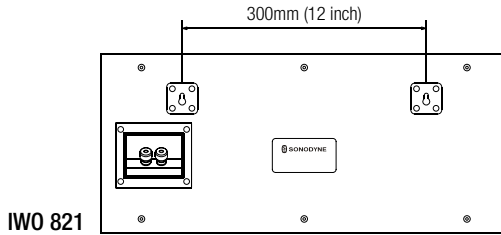
# ● on-wall mounting: IWO 800 Series ●

## IWO 821 and 822

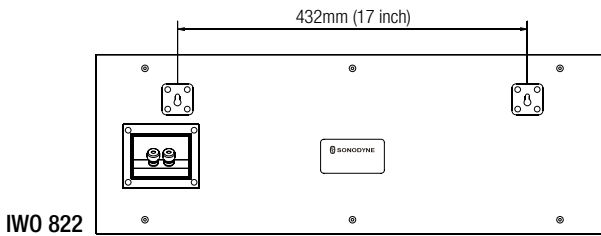
These cabinets are supposed to be mounted horizontally. Two key-hole type brackets are provided on the rear, in the same horizontal line on which the cabinet is hung. Fix 2 screws horizontally on the wall at a center distance as follows

- 300mm or 12", for the IWO 821
- 432mm or 17", for the IWO 822

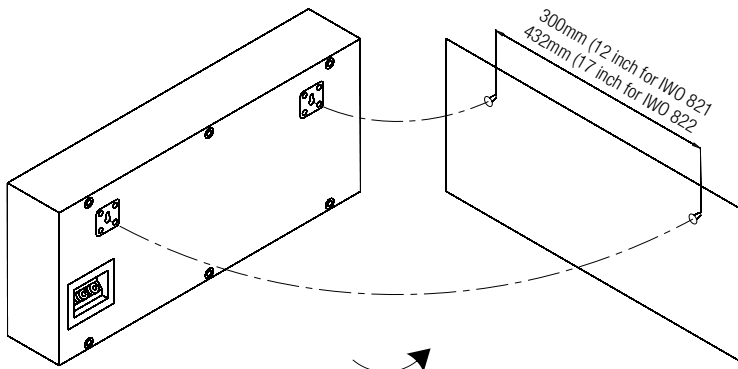
Make sure that the screws lie on the same horizontal line or the speaker will be tilted when hung. Hang the speaker on these 2 screws. Please see figure below



IWO 821



IWO 822

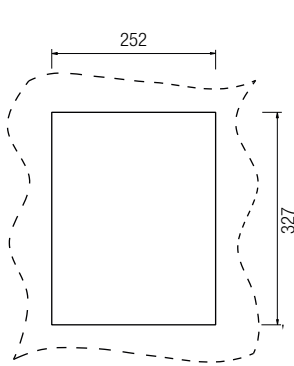


ON WALL MOUNTING

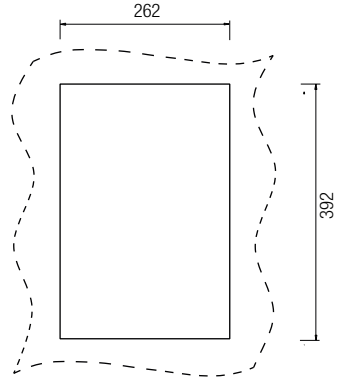
# ● in-wall mounting: IWO 800 Series ●

Each IWO speaker is provided with mounting inserts on the rear that allow them to be flush-mounted on a wall with the help of the optional in-wall mounting kit. First make a cut-out on the dry wall for the IWO speakers as shown in the figure below.

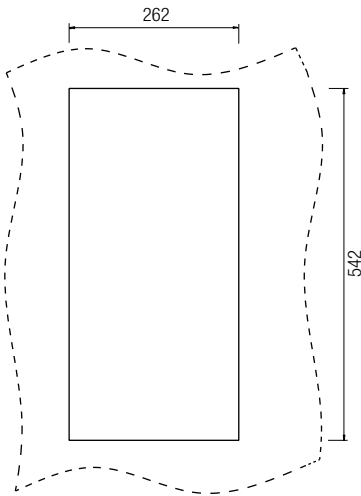
## CUT-OUT ON DRY WALL



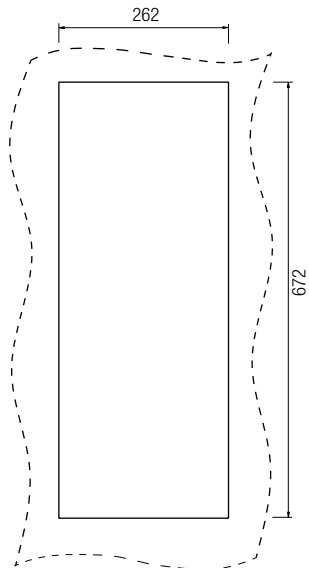
IWO 801



IWO 802



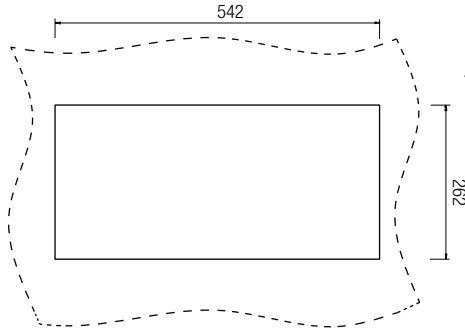
IWO 811



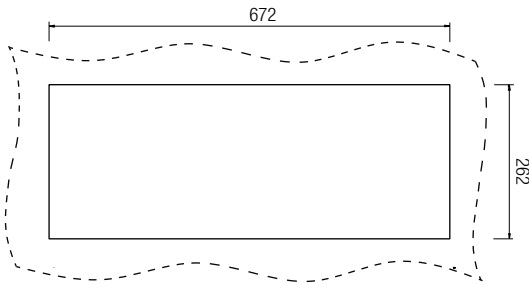
IWO 812

# ● in-wall mounting: IWO 800 Series ●

## CUT-OUT ON DRY WALL



IWO 821



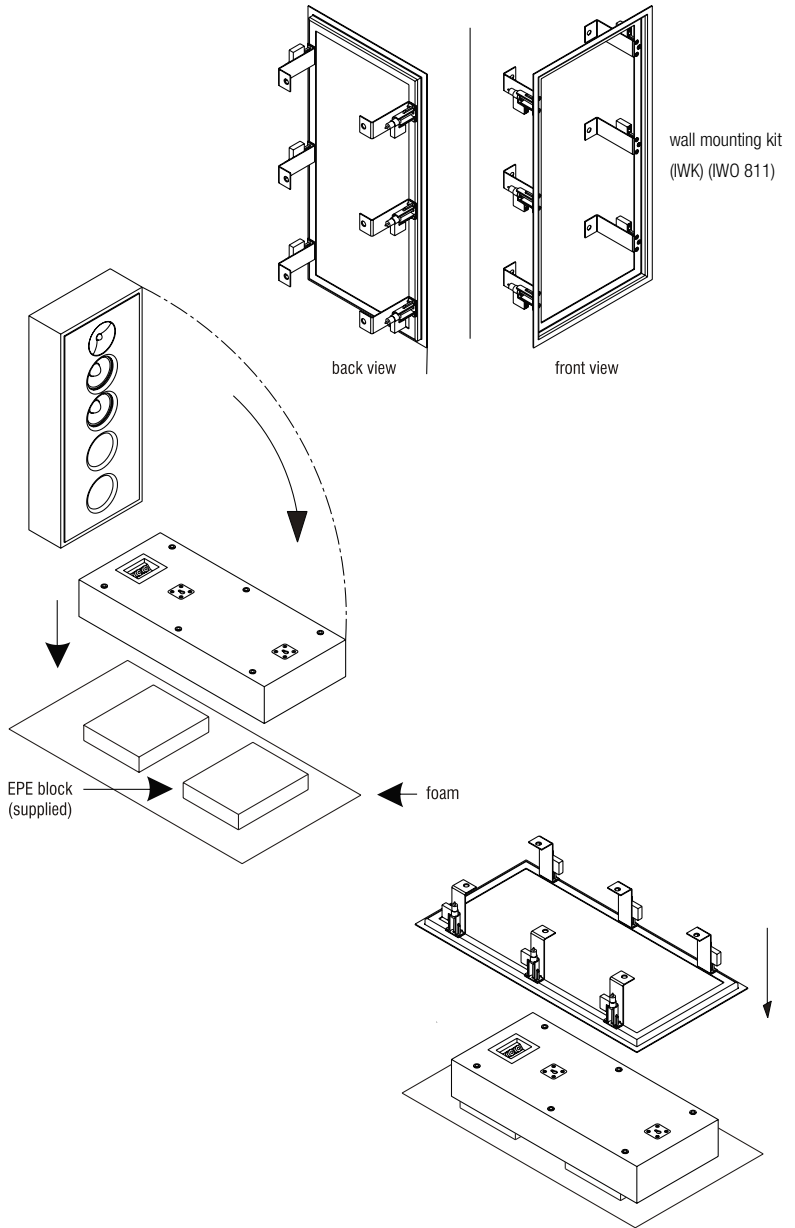
IWO 822

Next fit the in-wall mounting kit to the speakers. Proceed as follows

- Detach the magnetic grill and put the cabinet face down on a table. Use a foam or similar substance so that the cabinet front does not develop any scratch. Position the kit so that the frame of the kit slides into the cabinet till the metal tongues of the kit come to rest on the cabinet back.
- Fix the machine screws along with flat washer and spring washer supplied, to hold the tongues to the cabinet back. Tighten the screws.
- Next fit the plastic accessories known as dog-ears. Slide the dog-ears inside the plastic tubes on the frame and fix with self-tapping screws supplied. Do not tighten – ensure that the screws are just mated with the dog-ears.
- Turn the dog-ears so that they are vertical. Hold the metal frame and insert the cabinet inside the cut-out on the dry-wall.
- Tighten the screws so that the dog-ears hold the metal frame snugly against the dry-wall.
- Attach the new grill supplied with the kit.

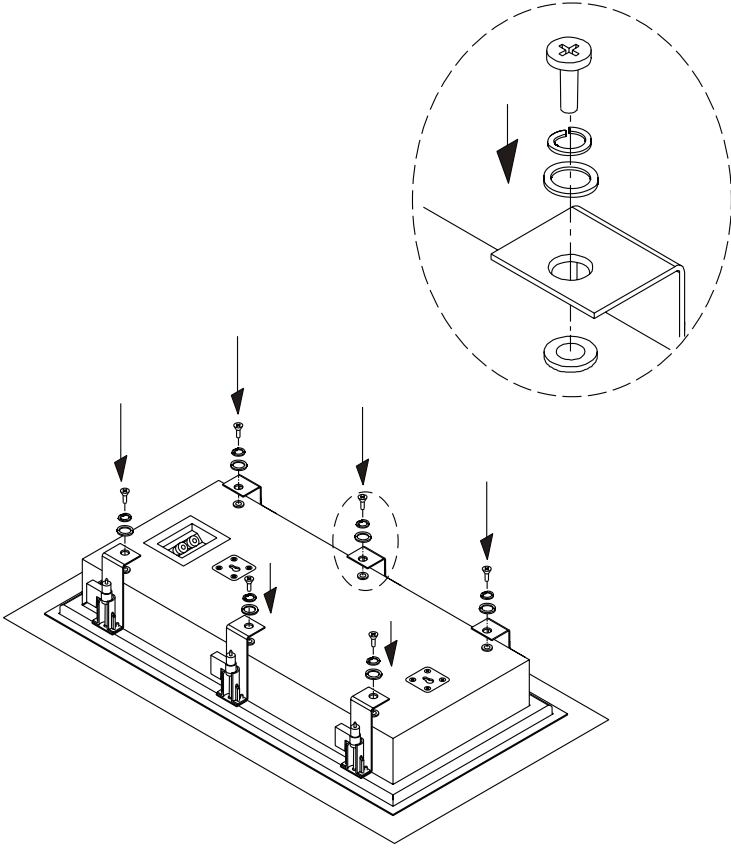
# • in-wall mounting: IWO 800 Series •

FIG. 1



# • in-wall mounting: IWO 800 Series •

FIG. 2



# ● in-wall mounting: IWO 800 Series ●

FIG. 3

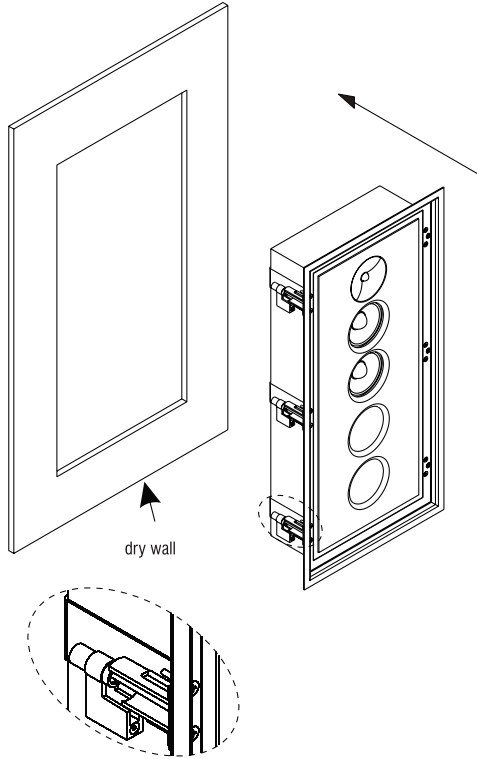
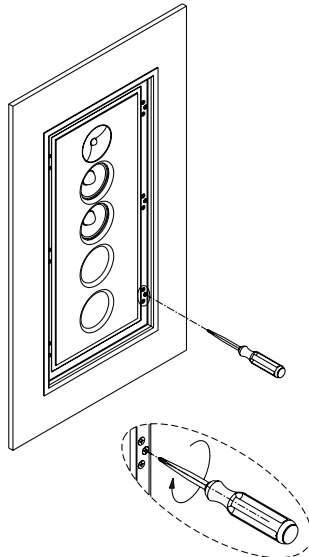
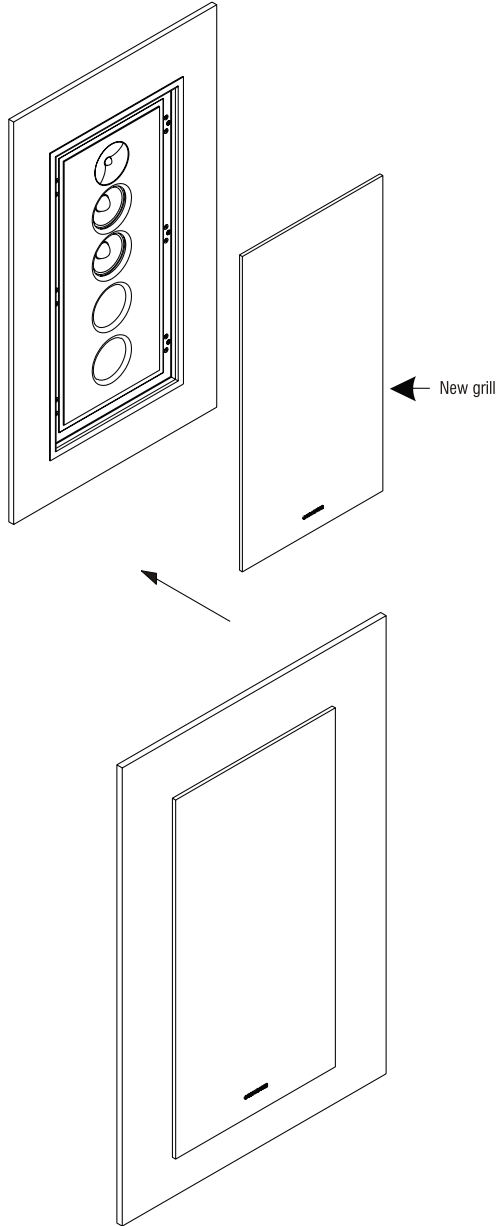


FIG. 4



# ● in-wall mounting: IWO 800 Series ●

FIG. 5



# ● specifications: IWO 900 Series ●

	<b>IWO 911</b>	<b>IWO 912</b>
DESCRIPTION	2 way, bass-reflex on-wall/in-wall speaker	2 way, bass-reflex on-wall/in-wall speaker
ENCLOSURE	MDF	MDF
TRANSDUCER COMPLEMENTS: HF	1" dome tweeter	1" dome tweeter
TRANSDUCER COMPLEMENTS: LF	2 x 5" glass-fibre cone woofers 2 x 5" high-compliance passive radiators	2 x 6" glass-fibre cone woofers 2 x 6" high-compliance passive radiators
RECOMMENDED AMPLIFIER POWER	100 ~ 200 watt	150 ~ 300 watt
NOMINAL IMPEDANCE	8Ω	8Ω
SENSITIVITY (1W 1M)	88dB	89dB
FREQ. RESPONSE (-3dB) ON AXIS	56Hz ~ 22kHz	43Hz ~ 22kHz
FREQ. EXTENSION (-10dB)	34Hz ~ 25kHz	32Hz ~ 25kHz
CROSSOVER FREQ.	2.5kHz	1.6kHz
INPUTS	Gold plated binding post	Gold plated binding post
FINISH	Satin black	Satin black
DIMENSIONS (HxWxD)	770 x 313 x 121 mm	884 x 323 x 140 mm
NET WEIGHT	10.9kg	15.2kg
MOUNTING	Wall mounting bracket included	Wall mounting bracket included
IN THE BOX	User manual, wall mounting bracket	User manual, wall mounting bracket
ACCESSORIES (sold separately)	IWO WB 71 (optional On wall bracket)	IWO WB 72 (optional On wall bracket)

*Due to continuous improvements, all specifications are subject to change*

# ● specifications: IWO 900 Series ●

	<b>IWO 921</b>	<b>IWO 922</b>
DESCRIPTION	2 way, bass-reflex on-wall/in-wall speaker for centre channel	2 way, bass-reflex on-wall/in-wall speaker for centre channel
ENCLOSURE	MDF	MDF
TRANSDUCER COMPLEMENTS: HF	1" dome tweeter	1" dome tweeter
TRANSDUCER COMPLEMENTS: LF	2 x 5" glass-fibre cone woofers 2 x 5" high-compliance passive radiators	2 x 6" glass-fibre cone woofers 2 x 6" high-compliance passive radiators
RECOMMENDED AMPLIFIER POWER	100 ~ 200 watt	150 ~ 300 watt
NOMINAL IMPEDANCE	8Ω	8Ω
SENSITIVITY (1W 1M)	88dB	89dB
FREQ. RESPONSE (-3dB) ON AXIS	56Hz ~ 22kHz	43Hz ~ 22kHz
FREQ. EXTENSION (-10dB)	34Hz ~ 25kHz	32Hz ~ 25kHz
CROSSOVER FREQ.	2.5kHz	1.6kHz
INPUTS	Gold plated binding post	Gold plated binding post
FINISH	Satin black	Satin black
DIMENSIONS (HxWxD)	313 x 770 x 121 mm	323 x 884 x 140 mm
NET WEIGHT	10.9kg	15.2kg
MOUNTING	Wall mounting bracket included	Wall mounting bracket included
IN THE BOX	User manual, wall mounting bracket	User manual, wall mounting bracket
ACCESSORIES (sold separately)	IWO WB 71 (optional On wall bracket)	IWO WB 72 (optional On wall bracket)

*Due to continuous improvements, all specifications are subject to change*

# ● specifications: IWO 800 Series ●

	<b>IWO 801</b>	<b>IWO 802</b>	<b>IWO 811</b>
DESCRIPTION	2 way, bass-reflex on-wall/in-wall speaker	2 way, bass-reflex on-wall/in-wall speaker	2 way, bass reflex on-wall/in-wall speaker
ENCLOSURE	MDF	MDF	MDF
TRANSDUCER COMPLEMENTS: HF	1" dome tweeter	1" dome tweeter	1" dome tweeter
TRANSDUCER COMPLEMENTS: LF	3" woofer	4" woofer	2 x 3" woofer 2 x 3" high-compliance passive radiators
RECOMMENDED AMPLIFIER POWER	40 ~ 80 watt	60 ~ 100 watt	60 ~ 100 watt
NOMINAL IMPEDANCE	6Ω	6Ω	8Ω
SENSITIVITY, 1W 1M	80dB	85dB	83dB
FREQUENCY RESPONSE (-3dB) ON AXIS	80Hz ~ 20kHz	70Hz ~ 20kHz	75Hz ~ 20kHz
FREQUENCY EXTENSION (-10dB)	70Hz ~ 22kHz	60Hz ~ 22kHz	65Hz ~ 22kHz
CROSSOVER FREQUENCY	1.6kHz	1.8kHz	3.2kHz
INPUTS	Gold plated binding post	Gold plated binding post	Gold plated binding post
FINISH	Satin black	Satin black	Satin black
DIMENSIONS (HxVxD)	285x210x93 mm	350x220x93 mm	500x220x93 mm
NET WEIGHT	3kg	3.7kg	5kg
MOUNTING	Key-hole bracket fitted	Key-hole bracket fitted	Pair of key-hole brackets fitted
IN THE BOX	User manual	User manual	User manual
ACCESSORIES (sold separately)	IWO WB 61 (In wall bracket)	IWO WB 62 (In wall bracket)	IWO WB 63 (In wall bracket)

*Due to continuous improvements, all specifications are subject to change*

# ● specifications: IWO 800 Series ●

	<b>IWO 812</b>	<b>IWO 821</b>	<b>IWO 822</b>
DESCRIPTION	2 way, bass reflex on-wall/in-wall speaker	2 way, bass-reflex on-wall/in-wall speaker for centre channel	2 way, bass-reflex on-wall/in-wall speaker for centre channel
ENCLOSURE	MDF	MDF	MDF
TRANSDUCER COMPLEMENTS: HF	1" dome tweeter	1" dome tweeter	1" dome tweeter
TRANSDUCER COMPLEMENTS: LF	2 x 4" woofer 2 x 4" high-compliance passive radiators	2 x 3" woofer 2 x 3" high-compliance passive radiators	2 x 4" woofer 2 x 4" high-compliance passive radiators
RECOMMENDED AMPLIFIER POWER	60 ~ 120 watt	60 ~ 100 watt	60 ~ 120 watt
NOMINAL IMPEDANCE	8Ω	8Ω	8Ω
SENSITIVITY, 1W 1M	88dB	82dB	87dB
FREQUENCY RESPONSE (-3dB) ON AXIS	70Hz ~ 19kHz	75Hz ~ 20kHz	70Hz ~ 19kHz
FREQUENCY EXTENSION (-10dB)	55Hz ~ 22kHz	65Hz ~ 22kHz	55Hz ~ 22kHz
CROSSOVER FREQUENCY	2.5kHz	3.2kHz	2.5kHz
INPUTS	Gold plated binding post	Gold plated binding post	Gold plated binding post
FINISH	Satin black	Satin black	Satin black
DIMENSIONS (HxWxD)	630x220x93 mm	220x500x93 mm	220x630x93 mm
NET WEIGHT	6.4kg	4.9kg	6kg
MOUNTING	Pair of key-hole brackets fitted	Pair of key-hole brackets fitted	Pair of key-hole brackets fitted
IN THE BOX	User manual	User manual	User manual
ACCESSORIES (sold separately)	IWO WB 64 (In wall bracket)	IWO WB 63 (In wall bracket)	IWO WB 64 (In wall bracket)

*Due to continuous improvements, all specifications are subject to change*

# ● warranty information ●

In substitution of any warranty or condition implied, this equipment is warranted against failure arising through faulty workmanship or material for a period of 24 calendar months from the date of purchase. During this period, subject to the conditions stated here, the manufacturer will replace or repair any defective part free of charge (including parts and labour). This warranty is only given with respect to faulty workmanship and/ or materials and does not cover misuse or consequential damage. Claims under the warranty will be considered only if the product is returned to an authorised SONODYNE Service Centre directly, or through an authorized reseller.

- This warranty is applicable only to the original purchaser when purchase is made directly from SONODYNE or from an authorized SONODYNE reseller. Any claim be accompanied by the original Tax / GST invoice.
- The warranty DOES NOT COVER:
  - a. Damage resulting from incorrect installation or use not in accordance with the operating instruction issued by the manufacturer.
  - b. Consequential damage.
- This warranty will be rendered invalid if any unauthorized alteration, modification or substitution is carried out or if the Serial No. is altered and/ or defaced.
- All equipment for servicing must be sent, carriage paid, to an authorized Service Centre, The Company will accept no responsibility for loss or damage in transit
- If the equipment or any part of it is returned for any cause not covered by the warranty, all costs involved, including charges for inspection and handling will have to be borne by the customer.
- No reseller has the authority to vary the terms of this warranty.

Register your product  
to activate your warranty:  
<https://sonodyne.com/registerproduct>



Upload a picture or video of your Sonodyne  
product or write about your Sonodyne  
experience.  
<https://sonodyne.com/review>

If you have anything less than a 5 star experience,  
please contact us at [response@sonodyne.com](mailto:response@sonodyne.com)  
and we will make it right

# SONODYNE<sup>®</sup>

SONODYNE, India • H.O.: 98 NB Block E New Alipore, Kolkata 700053

