

## SPECIFICATIONS

---

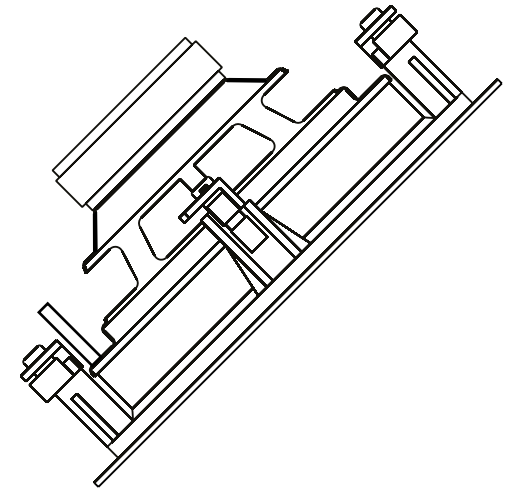
DESCRIPTION	2 way in-ceiling speaker with magnetic grill
TRANSDUCER	1 x 6" coaxial speaker
MAX. SPL	108dB
NOMINAL IMPEDANCE	8Ω
SENSITIVITY (1W 1M)	90dB (half space)
FREQUENCY RESPONSE	70Hz ~ 20kHz (-3dB)
FREQUENCY RANGE	60Hz ~ 21kHz (-10dB)
POWER HANDLING	60W
COLOURS	White
OUTER DIM (depth x dia)	96mm x 236mm
WALL/ CEILING CUT-OUT	205mm
NET WEIGHT	1.2kg
MOUNTING OPTIONS	Ceiling mount with twist-lock

NOTE: Due to continuous improvements, all specifications are subject to change

# SONODYNE

## SIC 3361

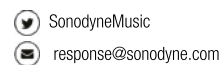
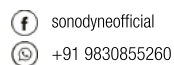
in-ceiling speaker • owners manual



# SONODYNE

SONODYNE, India • H.O.: 98 NB Block E New Alipore, Kolkata 700053

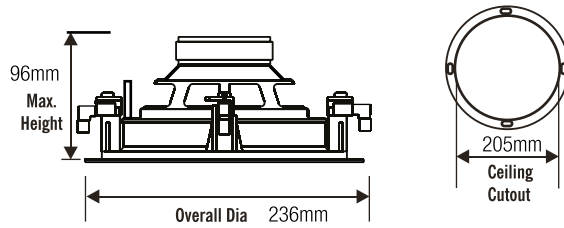
---



**MADE IN INDIA**  
since 1970

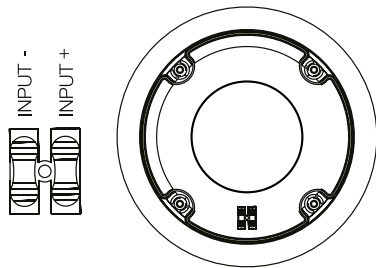
## MOUNTING

- STEP 1** Make a cut-out in the ceiling or the surface where the SIC Series ceiling speaker is to be installed as per FIG. 1. Make sure there is enough room for the height inside the false ceiling.



- STEP 2** Make the necessary connections to the SIC 3361 as follows (Refer to FIG. 2).

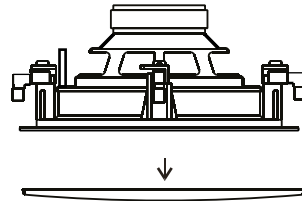
FIG. 2



## MOUNTING

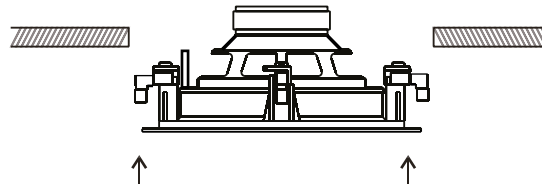
- STEP 3** Remove the magnetic grill

FIG. 3



- STEP 4** Holding the speaker with the driver magnet facing upward (make sure you do not touch the drive unit) slide it through the ceiling cut-out so that the plastic frame comes to rest against the ceiling

FIG. 4

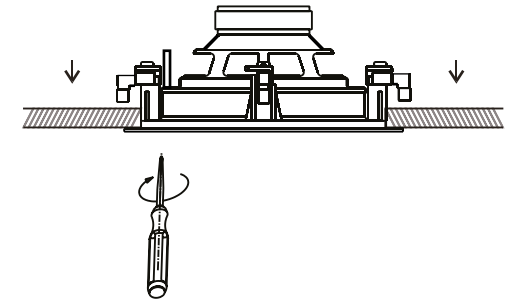


## MOUNTING

- STEP 5** Tighten the 4 adjusting screws one by one. (Tightening the screws will pull the dog-ears towards the ceiling till it makes firm contact. While sliding the speaker through the cut-out, make sure the dog-ears are not projecting outwards)

**WARNING:** Do not over-tighten the screws. Care must be taken while tightening so that the drive unit does not get damaged

FIG. 5



- STEP 6** Fit the grill back into the speaker

FIG. 6

